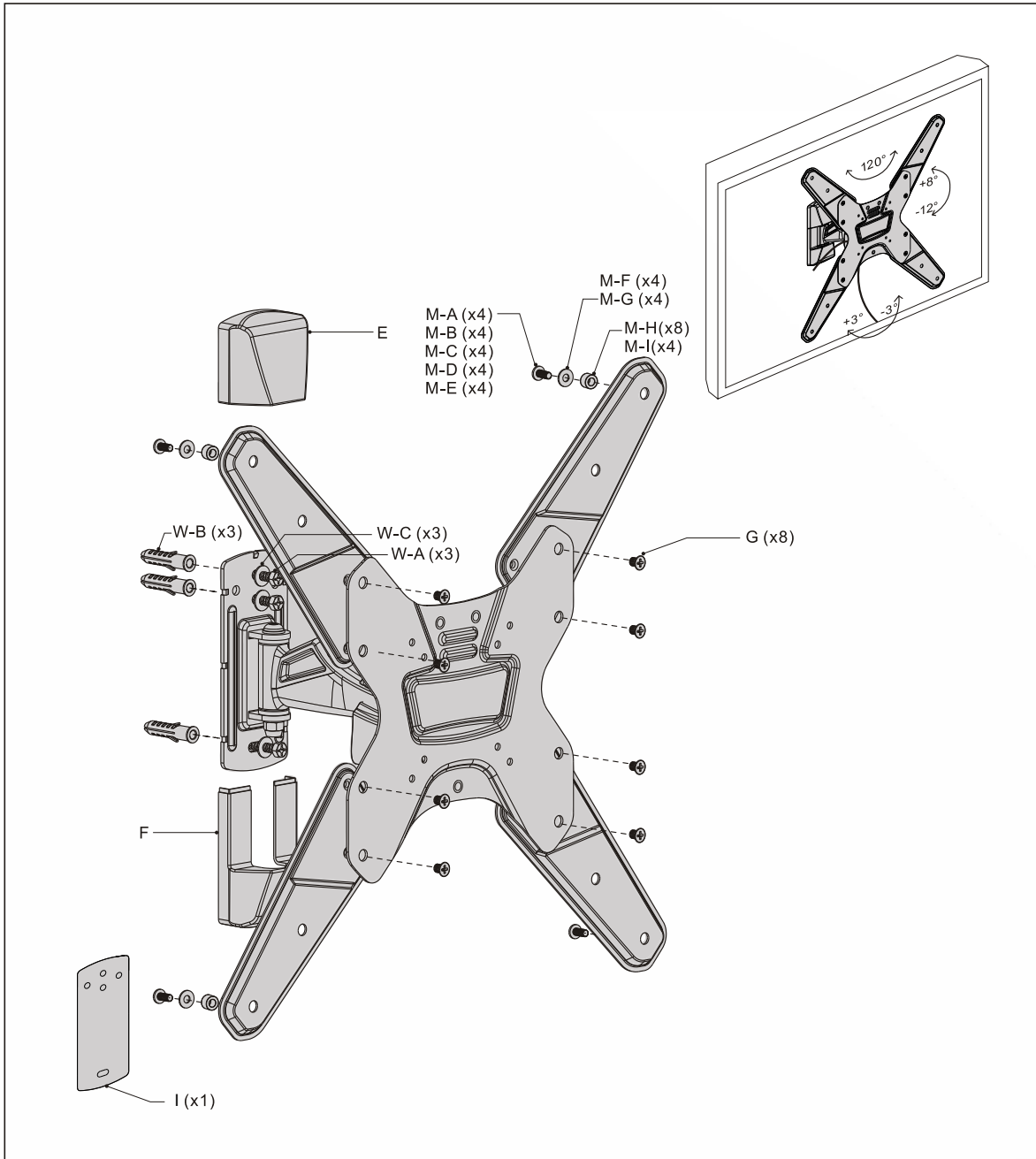
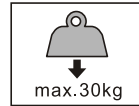


KNMA-MFM20S
KNMA-MFM20W



	 B (x2)	 C (x2)	 M5x14 (x4) M-A	 M6x14 (x4) M-B	 M8x20 (x4) M-C	 M6x30 (x4) M-D		
	 D (x1)	 E (x1)	 F (x1)	 M8x30 (x4) M-E	 D5(x4) M-F	 D8(x4) M-G	 (x8) M-H	 (x4) M-I
	 H (x1)	 I (x1)	 J (x1)	 W-A(x3)	 W-B(x3)	 W-C(x3)		

KNMA-MFM20S KNMA-MFM20W

