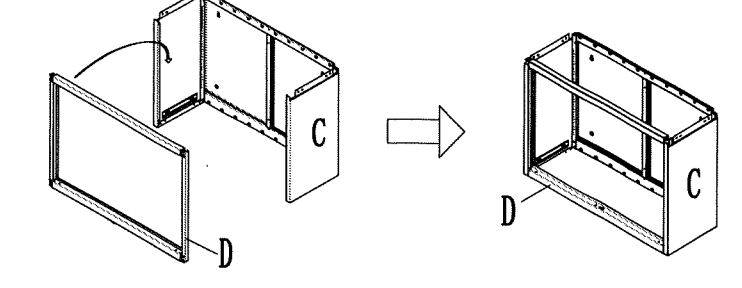
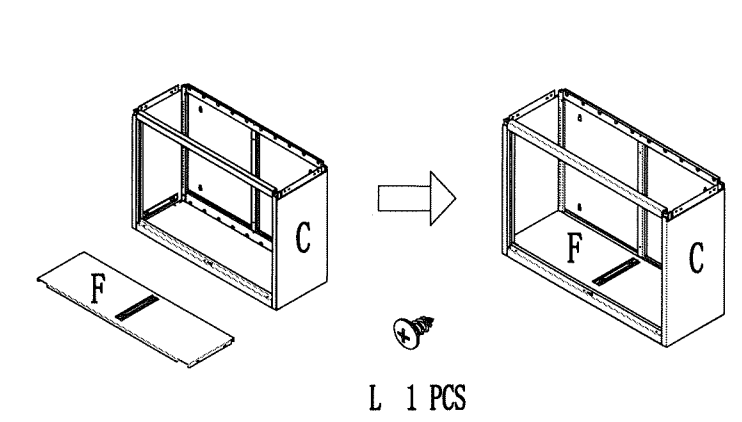


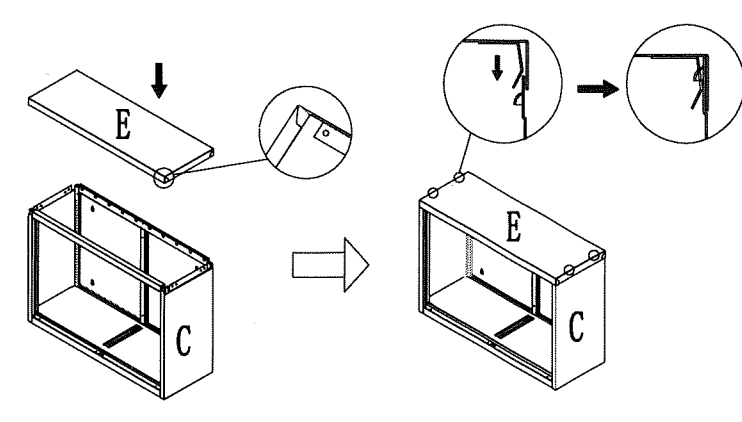
first installing



second installing



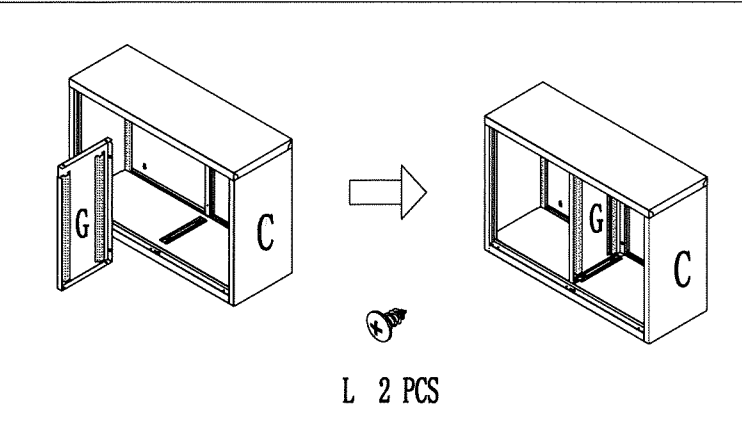
third installing



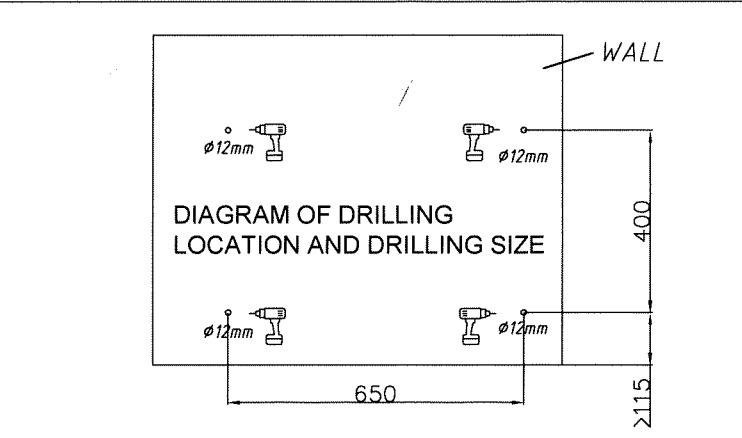
fourth installing

Packing List

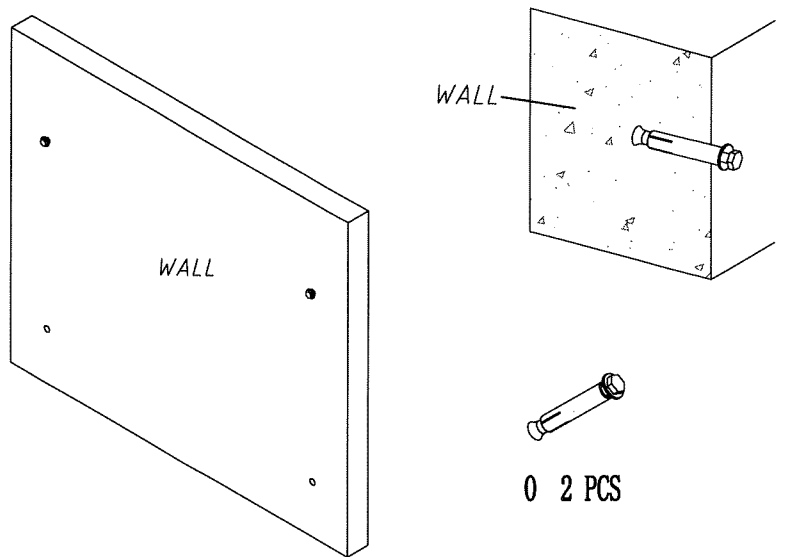
Name	Quantity	Name	Quantity
A	1	I	2
B	1	J	1
C	1	K	1
D	1	L	9
E	1	M	16
F	1	N	16
G	1	O	4
H	2		



fifth installing



sixth installing



DRILLING THE TWO HOLES UPPER ON THE WALL, AND FIX THE CABINET BY BOLTS, THEN MARK THE PLACES OF THE TWO HOLES LOWER AND DRIL.

