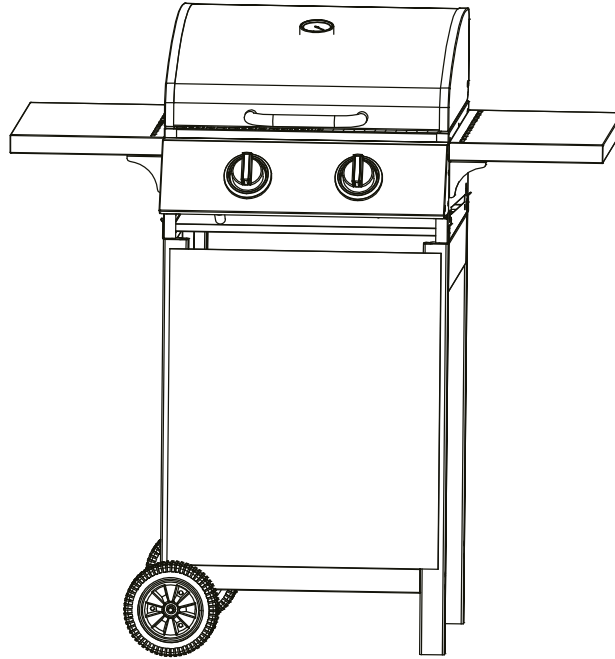


MUSTANG

IKURI 2



EN

FI

SV

ET

LV

LT

RU

EN. FOR OUTDOOR USE ONLY. PLEASE READ THESE INSTRUCTIONS CAREFULLY BEFORE ASSEMBLY. RETAIN THIS MANUAL FOR FUTURE REFERENCE.

Prior to installation, ensure that the local distribution conditions (nature of gas and gas pressure) and the adjustment of the appliance are compatible. The adjustment conditions for this appliance are stated on the data plate.

FI. VAIN ULKOKÄYTTÖÖN. LUE OHJEET HUOLELLISESTI ENNEN LAITTEEN KÄYTTÖÖNOTTOA. SÄILYTÄ TÄMÄ OHJE MYÖHEMPÄÄ KÄYTTÖÄ VARTEN.

Tarkista ennen laitteen asentamista, että laitteen säädöt vastaavat paikallisia kaasuliitäntöjä koskevia vaatimuksia (kaasun tyyppi ja paine). Laitteen säädöt on ilmoitettu arvokilvessä.

SV. FÅR ENDAST ANVÄNDAS UTOMHUS. LÄS ANVISNINGARNA NOGGRANT INNAN APPARATEN TAS I BRUK. FÖRVARA DESSA ANVISNINGAR FÖR FRAMTIDA REFERENS.

Kontrollera före installationen att de lokala distributionsförhållandena (typ av gas och gastryck) och apparatens inställningar är kompatibla. Inställningsvillkoren för den här apparaten anges på märkskylten.

ET. MÕELDUD AINULT VÄLISTINGIMUSTES KASUTAMISEKS. ENNE GRILLAHJU KOKKUPANEMIST LUGEGE JUHEND HOOLIKALT LÄBI. HOIDKE SEE JUHEND EDASPIDISEKS KASUTAMISEKS ALLES.

Veenduge enne paigaldamist, et seadme seadistused vastavad kohaliku gaasiühenduse tingimustele (gaasi tüüp ja rõhk). Teadet seadme seadistuste kohta leiate selle andmesildilt.

LV. LIETOŠANAI ĀRA APSTĀKĻOS. PIRMS MONTĀŽAS UZMANĪGI IZLASIET INSTRUKCIJU. SAGLABĀJIET ŠO INSTRUKCIJU TURPMĀKAI ATSAUCEI.

Pirms uzstādīšanas pārlicinieties, vai vietējie sadales nosacījumi (gāzes veids un spiediens) ir saderīgi ar ierīces iestatījumiem. Šīs ierīces iestatīšanas nosacījumi ir norādīti uz datu plāksnītes.

LT. KIRTA NAUDOTI TIK LAUKE. PRIEŠ SURINKDAMI ĮDĖMIAI PERSKAITYKITE ŠIAS INSTRUKCIJAS. SAUGOKITE ŠIĄ INSTRUKCIJĄ, KAD ATEITYJE PRIREIKUS GALĖTUMĖTE PERŽIŪRĖTI.

Prieš įrengdami įsitikinkite, kad vietos inžinerinių tinklų sąlygos (dujų kilmė ir dujų slėgis) atitinka prietaiso parametrus. Šio prietaiso parametrai nurodyti duomenų lentelėje.

RU. ИСПОЛЬЗОВАТЬ ТОЛЬКО НА УЛИЦЕ. ПЕРЕД СБОРКОЙ ВНИМАТЕЛЬНО ОЗНАКОМЬТЕСЬ С НАСТОЯЩИМ РУКОВОДСТВОМ. СОХРАНИТЕ РУКОВОДСТВО НА БУДУЩЕЕ.

Перед установкой прибора убедитесь, что его регулировки соответствуют местным требованиям, касающимся использования бытового газа (тип и давление газа). Регулировки прибора указаны на на табличке с техническими данными.

Country of use/Käyttömaa/Användningsland/Kasutusriik/
Izmantošanas valsts/Naudojimo šalis/Страна использования:
I3B/P(30): LU, NL, DK, FI, SE, CY, CZ, EE, LT, MT, SK, SI, BG, IS, NO, TR, HR, RO, IT, HU, LV

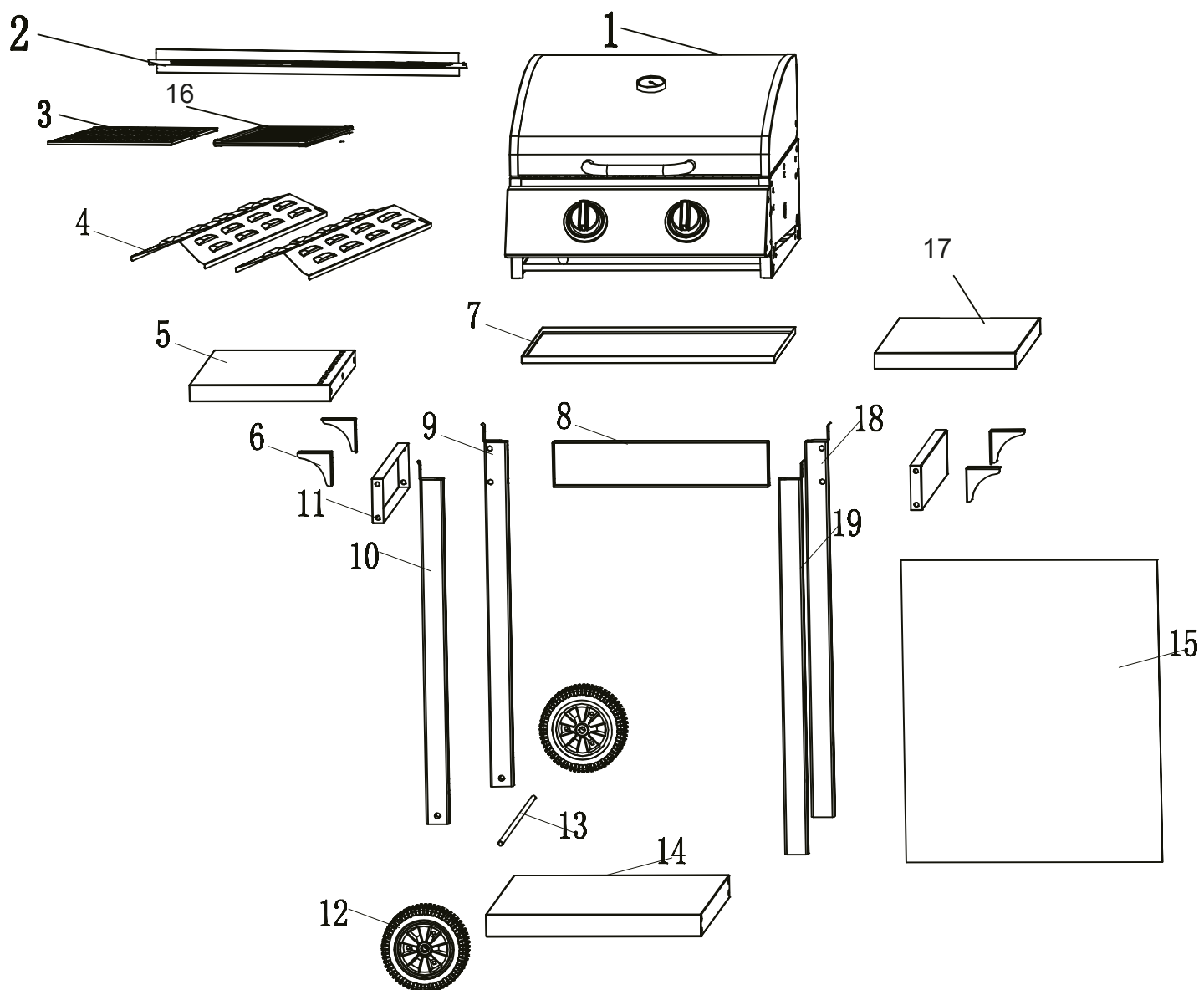
CE 2531-20

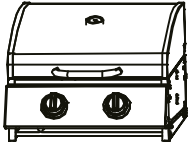

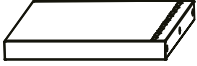

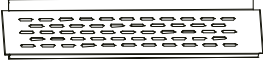





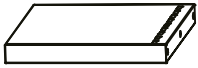









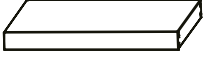

BLG15A12-03B (325035)

Info/Tootja/Ražotājs/Gamintojas/ Изготовитель: Tammer Brands Oy,
Viinikankatu 36, 33800 Tampere, Finland/Тампере, Финляндия

www.mustang-grill.com

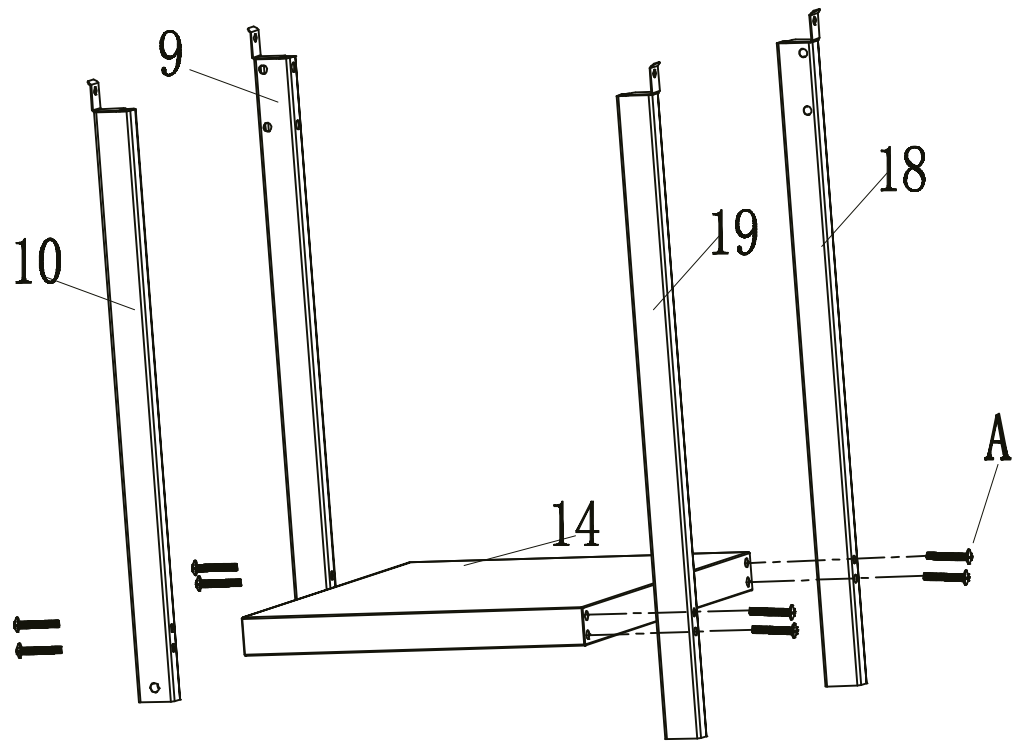
- EN ASSEMBLY INSTRUCTIONS
- FI KOKOAMISOHJEET
- SV MONTERINGSANVISNINGARNA
- ET KOOSTEJUHISED
- LV MONTĀŽAS INSTRUKCIJU
- LT SURINKIMO NURODYMAI
- RU ИНСТРУКЦИИ ПО СБОРКЕ



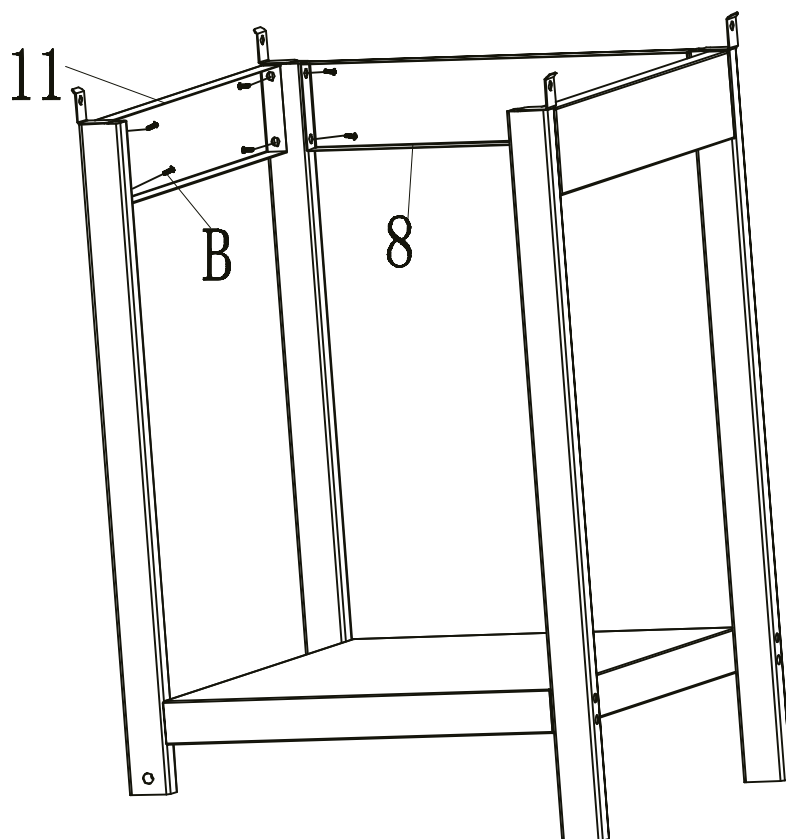
NO.	DESCRIPTION	QTY	NO.	DESCRIPTION	QTY
①		1	①⑥		1
			①⑦		1
			①⑧		1
②		1	①⑨		1
③		1	A		8
④		2	B		30
⑤		1	C		2
⑥		4			
⑦		1			
⑧		1			
⑨		1			
⑩		1			
⑪		2			
⑫		2			
⑬		1			
⑭		1			
⑮		1			

- EN
- FI
- SV
- ET
- LV
- LT
- RU

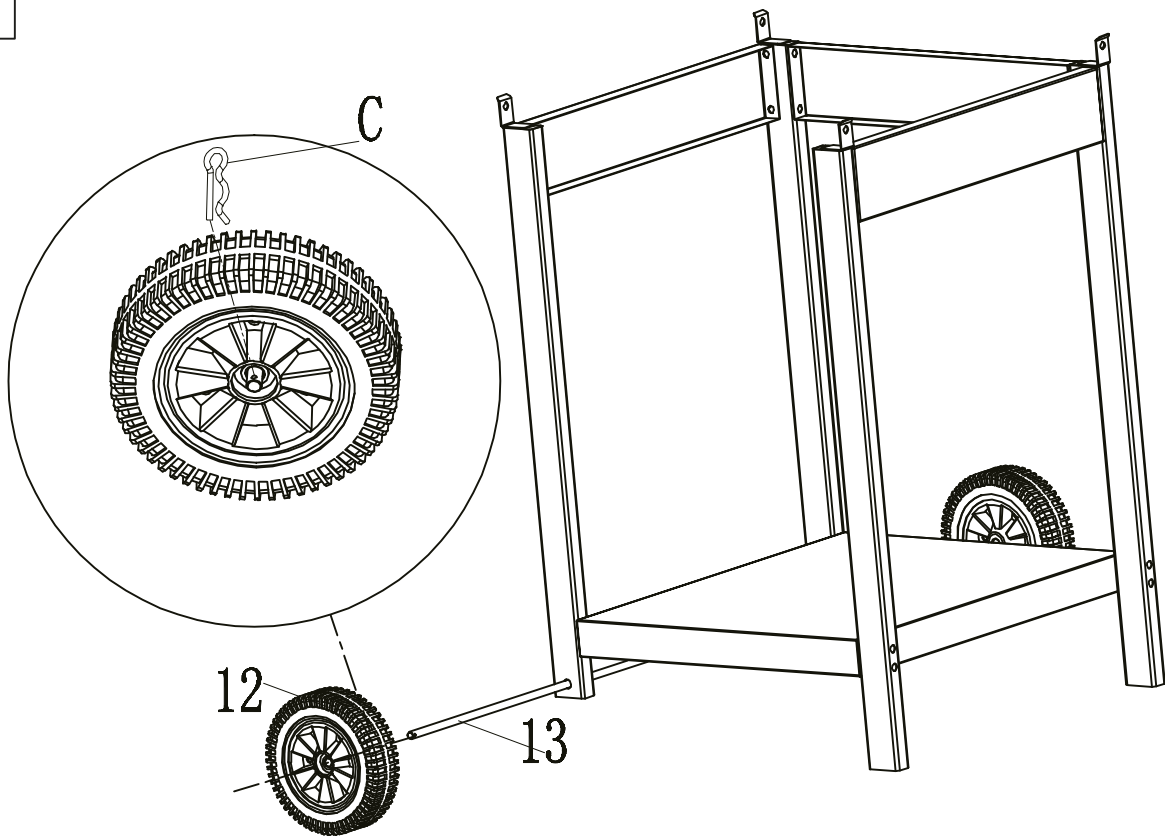
1



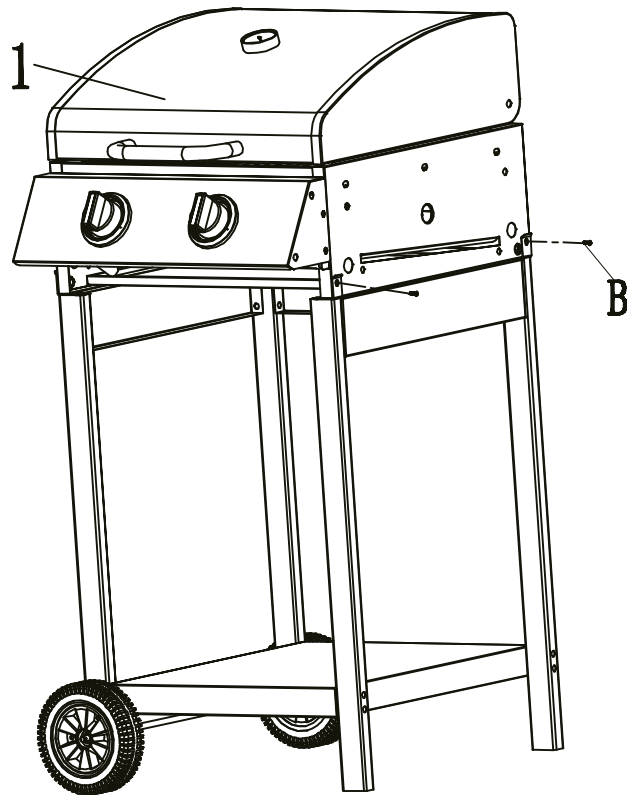
2



3



4



EN

FI

SV

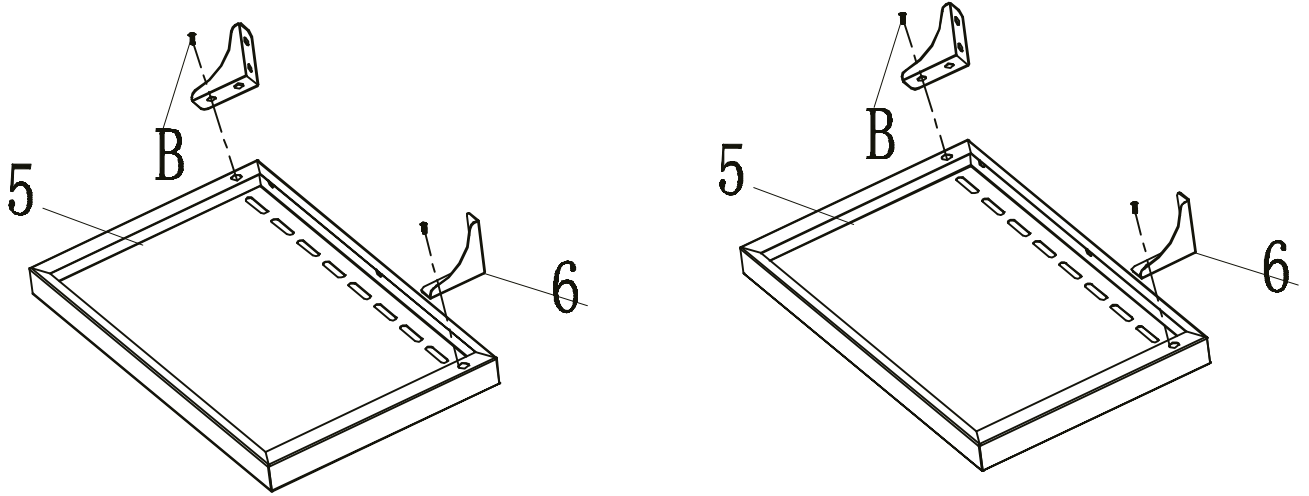
ET

LV

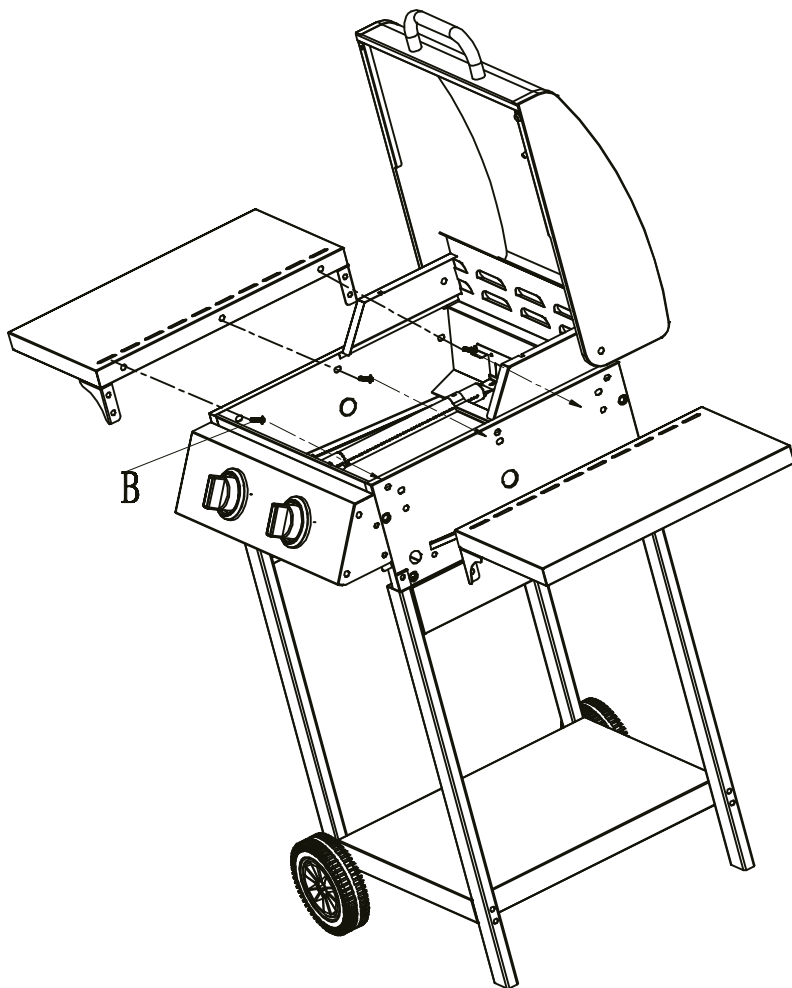
LT

RU

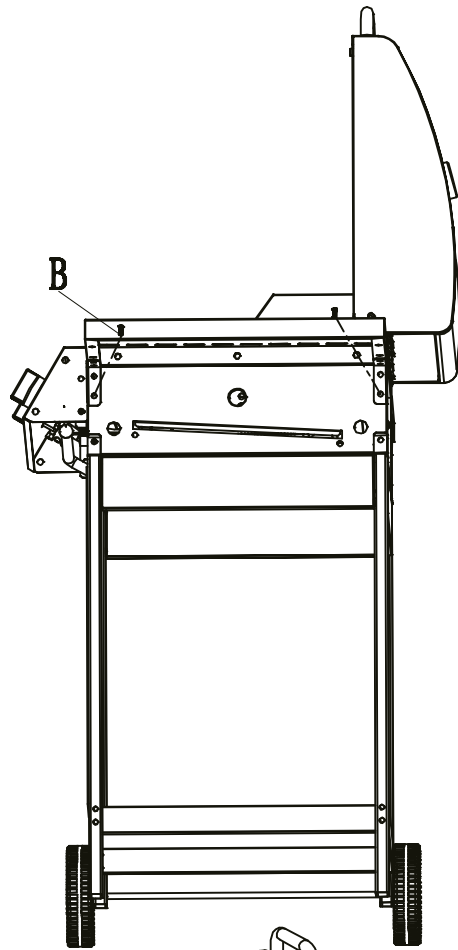
5



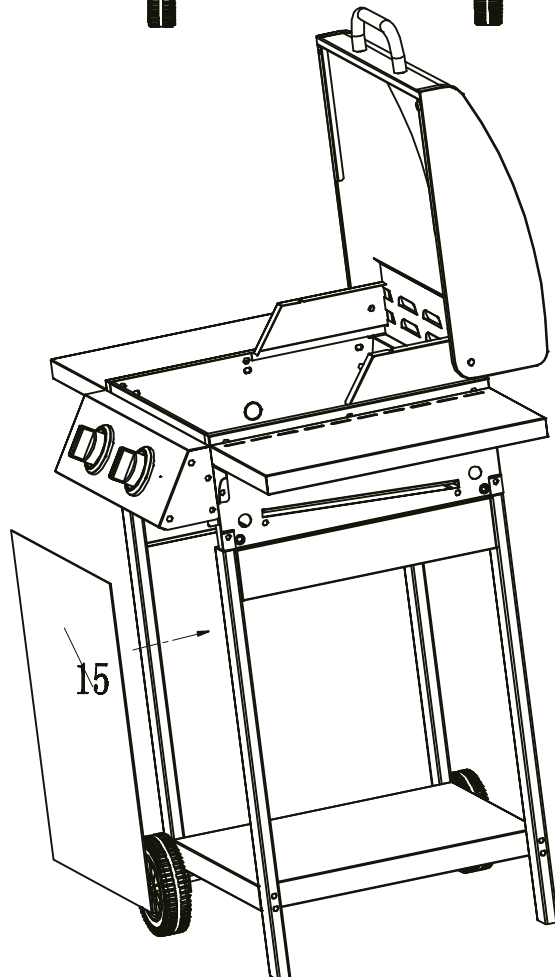
6



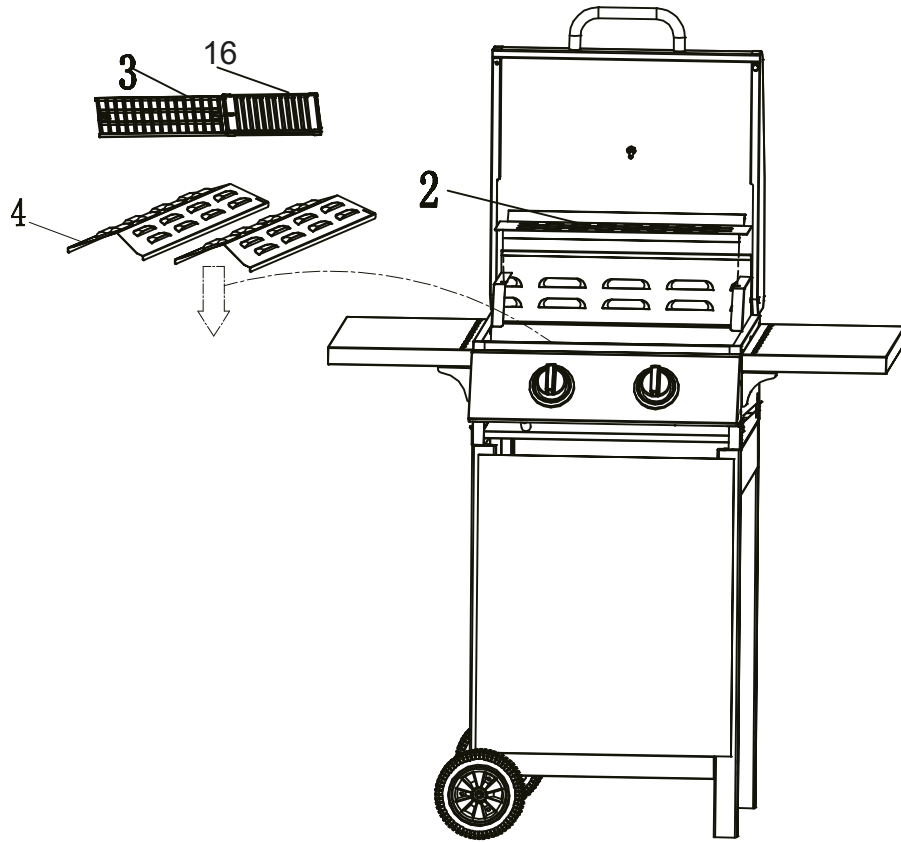
7



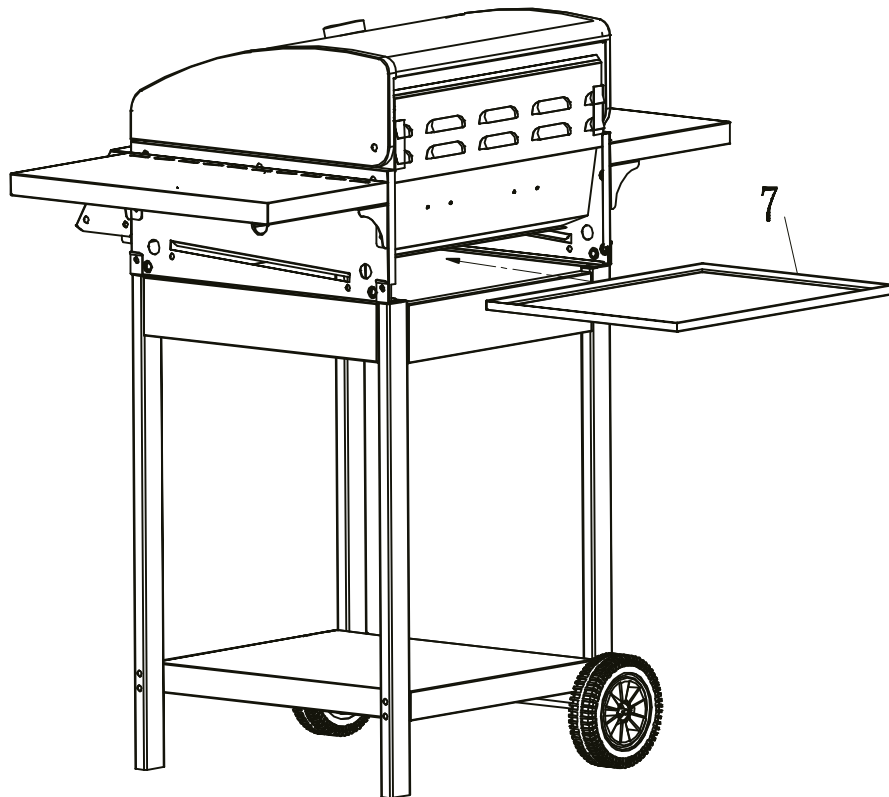
8



9



10



Congratulations on choosing your Mustang product! The Mustang family of barbecuing products was designed for cooking good food. Our line includes a wide range of barbecuing and cooking products. Go to www.mustang-grill.com or your nearest licensed Mustang retailer to find out more about our selection of products!

We are continually developing the Mustang line and other products it has to offer. Feedback from users plays an important role in our product development for quality assurance. We are always happy to receive any feedback on our products at mustang@mustang-grill.com.

This product was designed for ease and problem-free use. Please carefully go over the user instructions so you will get the most out of your grill. With careful, regular cleaning and maintenance of your grill, you will prolong its life and safety. The Mustang line of products also offers proper cleaning products and tools for its care.

For more information, go to: www.mustang-grill.com.

Contact information on Mustang maintenance services is available at www.mustang-grill.com.

DANGER:

If you smell gas:

1. Shut off gas supply to the appliance.
2. Extinguish any open flames, and avoid using any electrical appliance.
3. Open the lid and ventilate the area.
4. Check the gas connections with a soap solution.
5. If the odour still exists, immediately contact your gas supplier or fire department

IMPORTANT:

Hazardous fire or explosion may result if these instructions are ignored.

It is the user's responsibility to ensure that the barbecue is properly assembled, installed, and maintained. Failure to follow the instructions in this manual could result in serious bodily injury and/or property damage.

Any modification or misuse of the appliance and failure to follow the instructions may be dangerous.

WARNING:

The accessible parts may be very hot. Keep young children away.

This appliance must be kept away from flammable materials during use.

Please keep this manual for future reference.

TECHNICAL INFORMATION:

APPLIANCE CODE: BLG15A12-03B (325035)
 TOTAL HEAT INPUT
 (ALL GAS CATEGORIES): 7.2 kW (524 g/h)
 GAS CATEGORY: I3B/P(30)
 TYPES OF GAS: LPG gas mixtures
 GAS PRESSURE: 30 mbar
 INJECTOR SIZE: Main burners: 0.91 mm

FOR OUTDOOR USE IN WELL VENTILATED AREAS

WARNING: ACCESSIBLE PARTS MAY BE VERY HOT.

KEEP YOUNG CHILDREN AWAY.

READ THE INSTRUCTIONS BEFORE USING THE BARBECUE.

IMPORTANT:

Read the following instructions carefully and ensure that your barbecue is properly installed, assembled, and maintained. Failure to follow these instructions may result in serious bodily injury and/or property damage.

If you have any questions concerning the assembly or operation of the barbecue, consult your retailer.

Make sure that the barbecue and gas cylinder are on flat, level ground when using the appliance.

Never light the appliance with the lid in the closed position.

Never attempt to light or use the side burner with the lid in the closed position as a hazardous condition could arise and damage can occur to the appliance.

The low pressure regulator and gas hose must be of a type approved by the country of use.

If these parts need to be replaced, contact your customer service or retailer.

Using unauthorised parts in the barbecue can cause a dangerous situation and unsafe environment of use.

NOTE FOR CONSUMER: Retain the instructions for future reference.

SAFETY INSTRUCTIONS

Leak test all of the connections according to the instructions after each tank is refilled or the first use after a long period.

Never use an LP gas tank with a damaged body, valve, collar, or footing.

Do not store an LP gas tank under the barbecue when using the appliance.

The use of alcohol or prescription/non-prescription drugs may impair the ability to properly assemble or safely operate the appliance.

Never use charcoal, lighter fluid, lava rocks, gasoline, kerosene, or alcohol within this barbecue.

Do not store or use gasoline or other flammable liquids or vapours within 25 feet (7.6 m) of this appliance.

Minimum clearance from the sides and back of the unit to combustible construction is 3 feet (1 m). Do not use the appliance under an overhead combustible surface.

Do not use the barbecue unless it is completely assembled and all of the parts are securely fastened and tightened.

The barbecue should be thoroughly cleaned and inspected on a regular basis. Clean and inspect the gas hose before each use of the appliance. If there is evidence of abrasion, wear, cuts, or leaks, the hose must be replaced prior to the appliance being operated.

Only use parts that are authorised by the manufacturer. The use of unauthorised parts is dangerous.

This may also void your warranty.

When cooking, fire extinguishing materials should be located nearby. In the event of an oil/grease fire, do not attempt to extinguish it with water. Use a chemical fire extinguisher or smother it with dirt/sand or fire blanket.

Operate the appliance on solid ground only, do not install or use it in/on boats or recreational vehicles.

Do not leave a lit barbecue unattended. Keep children and animals away from the barbecue at all times.

Do not move the appliance during use.

Always open the barbecue lid carefully and slowly as the heat and steam trapped within the barbecue can severely burn you.

Move gas hoses as far away as possible from hot surfaces and dripping hot grease.

Keep all electrical cords away from a hot barbecue.

Turn off the gas supply at the gas cylinder after use.

Never cover the entire cooking area.

Never obstruct the ventilation openings of the container compartment.

Wear protective gloves when handling the hot components.

HOSE AND REGULATOR

These items are not included with the barbecue.

Only use hose and regulators approved for LP gas at the above pressures. The estimated life expectancy of the regulator is 10 years. Change the regulator within 10 years of the date of manufacture.

The use of the wrong hose or regulator is unsafe; always check that you have the correct items before operating the barbecue.

The hose used must conform to the relevant standard for the country of use. The length of the hose must be 1.2 metres (maximum) and the inner

diameter 10 mm. A worn or damaged hose must be replaced. Ensure that the hose is not bent, clogged, or in contact with any part of the barbecue other than at its connection.

Storage of the Barbecue

Storing the appliance indoors is only permissible if the LP gas cylinder is disconnected and removed from the appliance. When the appliance is not to be used for a long period of time, it should be placed in its original packaging and stored in a dry, dust free environment.

LP GAS CYLINDER

The LP gas cylinder should not be dropped or handled roughly! If the barbecue is not in use, the cylinder must be disconnected from the appliance. Place the protective cap on the cylinder after disconnecting the cylinder from the appliance.

The LP cylinder must be stored outdoors in an upright position and out of the reach of children. The cylinder must never be stored in an environment where temperatures can reach over 50°C. Do not store the cylinder near flames, ignition flames, or other sources of ignition.

DO NOT SMOKE NEAR THE LP GAS CYLINDER.

This barbecue is designed for use outdoors, away from any flammable materials. It is important that there are no overhead obstructions and that there is a minimum distance of 1 m from the side or rear of the appliance. It is important that the ventilation openings of the barbecue are not obstructed. The barbecue must be used on a level, stable surface. The appliance should be protected from direct airflow and shall be positioned or protected against direct penetration by any trickling water (e.g. rain). No modifications should be made to any part of this barbecue and repairs and maintenance should only be carried out by a registered gas service company. Connecting the LP gas cylinder to the barbecue Before connection, ensure that there is no debris or dirt caught in the head of the LP gas cylinder, regulator, burner, and burner ports. Spiders and insects can nest within and clog the burner and its inlet. A clogged burner can lead to a fire beneath the barbecue.

Clean burner holes with a heavy-duty pipe cleaner. Fit the hose to the appliance using a spanner to tighten it onto the connection thread. If the hose is replaced, it must be secured to the barbecue and regulator connections with hose clips. Disconnect the regulator from the cylinder according to the directions when the barbecue is not in use.

The Barbecue must be operated in a well-ventilated area. Do not obstruct the flow of combustion air to the burner when the barbecue is in use. **ONLY USE**

THIS BARBECUE OUTDOORS.

BEFORE USE, CHECK FOR LEAKS IN THE HOSE AND/OR CONNECTION THREADS.

Never check for leaks with a naked flame, always use a soapy water solution.

CHECKING FOR LEAKS

Make 2-3 fluid ounces (6-9 dl) of leak detecting solution by mixing one part dishwashing liquid with 3 parts water.

Ensure that the control valve is "OFF".

Connect the regulator to the LP gas cylinder and ON/OFF valve to the burner. Ensure that the connections are secure and then turn the gas ON.

Brush the soapy solution onto the hose and all joints. If bubbles appear you have a leak, which must be rectified before use.

Retest after fixing the fault.

Turn the gas OFF at the LP gas cylinder after testing.

If leakage is detected and cannot be rectified, consult your gas dealer in order to fix the leak.

LIGHTING YOUR BARBECUE

First use

Before cooking for the first time, operate the barbecue for about 15 minutes with the lid closed and the gas turned on to maximum HI. This will "heat clean" the internal parts.

Clean your barbecue after each use. DO NOT use abrasive or flammable cleaners, as it will damage the parts of the product and may start a fire. Clean the barbecue with warm soapy water.

WARNING: Accessible parts may be very hot. Keep children away from the hot barbecue at all times (even when the appliance is cooling down!). Protective gloves (e.g. oven gloves) should be used when handling particularly hot components.

Main burner ignition instruction

1. Open the lid of the barbecue before igniting the burners.
2. Turn all of the knobs clockwise to the OFF position (•).
3. Connect the pressure regulator to the liquid gas cylinder. Turn the gas supply of the pressure regulator to the ON position. Use soapy water to check for any gas leaks between the liquid gas cylinder and the pressure regulator.
4. Push and hold down the knob, and then turn it counter-clockwise until you feel a spring resistance. Keep the knob in this position for 3-5 seconds to

allow the gas to flow. Turn it counter-clockwise to "HI" position. Check if the burner has ignited. If the burner has not ignited, repeat the process.

5. If the burner still won't ignite, turn the knob to the OFF position (•), wait about 5 minutes, and repeat step 4.

6. Move the knob between the HI and LO positions to adjust the temperature.

7. Ignite the other burners by pushing and holding each corresponding knob and turning the knobs counter-clockwise to the HI position. The ignition unit between the burners will ignite the burners. Light the burners in order.

8. If the burner won't ignite, use a match to ignite the barbecue from the ignition hole in the side of the barbecue.

9. Turn the barbecue off by turning the valve of the liquid gas cylinder or the valve of the pressure regulator to the OFF position, and then turn the knobs of the barbecue to the OFF (•) position.

Warning! If the burner won't ignite, turn the knob (clockwise) to the OFF position and close the valve of the liquid gas cylinder. Wait 5 minutes before trying to ignite the barbecue again by following the instructions.

CLEANING AND MAINTENANCE

CAUTION

All cleaning and maintenance should be carried out when the barbecue is cool and with the fuel supply turned OFF at the LP gas cylinder.

Cleaning

"Burning off" the barbecue after every use (for approx. 15 minutes) will help in cleaning excessive food residue.

Outside surface

Use mild detergent or a solution of baking soda and warm water. Non-abrasive scouring powder can be used on stubborn stains, and then rinse with water. If the inside surface of the barbecue lid has the appearance of peeling paint, baked on grease build-up has turned to carbon and is flaking off. Clean thoroughly with a strong hot soapy water solution. Rinse with water and allow it to dry completely. NEVER CLEAN WITH OVEN CLEANER.

Interior of barbecue bottom

Remove residue using a brush, scraper and/or cleaning pad and then wash with a soapy water solution. Rinse with water and allow it to dry.

Cast Iron Grate / Cast Iron Griddle

Wash the grate / griddle with hot water by scrub-

bing it with a spatula or a stainless steel sponge. Lightly smear the surface with cooking oil before storing the grate.

Cleaning the burner

Turn the gas OFF at the control knob and disconnect the LP gas cylinder.

Remove the cooling grate.

Clean the burner with a soft brush or blow clean with compressed air and wipe with a cloth.

Clean any clogged ports with a pipe cleaner or stiff wire (such as an opened paper clip).

Inspect the burner for any damage (cracks or holes).

If damage is found, replace with a new burner. Reinstall the burner, check to ensure that the gas valve orifices are correctly positioned and secured inside the burner inlet.

SERVICING

Your gas barbecue should be serviced annually.

Find the maintenance service's telephone number on the website mustang-grill.com.

WARRANTY

All Mustang products have been carefully manufactured and quality-tested before leaving the factory. This barbecue and its parts have a 24-month warranty from the date of purchase. The warranty covers defects in material and workmanship.

Normal wear and tear, rusting or corrosion of parts is not covered by the warranty. For example, cracking of ceramic surfaces, discoloration of steel surfaces and the occurrence of rust spots are normal during use and over time and do not affect the use of the barbecue. Nor does the warranty cover parts that are subjected to wear and tear or corrosion during use, such as cast iron and stainless-steel tube burners, heat distribution plates, cooking grates and griddles, and warming racks. In the case of self-assembled barbecues, the customer must always install and replace the parts according to the instructions. Failure to follow these instructions will invalidate the warranty. Always read through the user instructions carefully and follow them. Damage or defects resulting from improper use or neglect of maintenance are not covered by the warranty.

Nor does the warranty apply if the product is used for commercial manufacturing, sale or rental purposes.

If a product or part of the product becomes defective during the warranty period, please contact the

importer or the Mustang Support Service via www.mustang-grill.com. Before submitting a warranty claim, please re-read the user instructions thoroughly to ensure that you have followed them. All warranty claims will be processed by the importer. A defective or missing part will be replaced with a new part. The customer is responsible for installing the defective or missing part.

The warranty is only valid upon presentation of a copy of the purchase receipt. The purchase receipt must include the name of the seller, the make and model number of the barbecue and the date of purchase. The warranty claim must include the following information: the make and model number of the barbecue, the reason for complaint, the part number of the defective part according to the parts list, a copy of the purchase receipt or statement of place of purchase, date of purchase, consumer's name, telephone number, street address, postal code and city.

Onnittelut Mustang-tuotteen valinnasta! Mustangin grillaustuoteperhe on suunniteltu hyvän ruoan valmistamiseen. Tuoteperheeseen kuuluu kattava valikoima grillaus- ja ruoanlaittatuotteita. Tutustu koko valikoimaan verkossa www.mustang-grill.com tai lähimmällä valtuutetulla Mustang-jälleenmyyjällä.

Kehitämme Mustang-tuoteperhettä ja siihen kuuluvia tuotteita jatkuvasti. Laadun takaamiseksi käyttäjiltä saatu palaute on tuotekehityksessämme erityisen tärkeässä roolissa. Otamme mielellämme vastaan tuotteisiin liittyvää palautetta osoitteeseen mustang@mustang-grill.com.

Tämä tuote on suunniteltu huolettomaan ja ongelmattomaan käyttöön vuosiksi eteenpäin. Tutustu huolella käyttöohjeeseen, jotta saisit laitteesta parhaan hyödyn. Huolehtimalla grillin säännöllisestä puhdistuksesta ja huollosta pidennät sen käyttöikä ja turvallisuutta. Mustang-tuotesarjasta löydät myös asianmukaiset puhdistusaineet ja harjat grillin puhdistukseen.

Lisätietoja löydät osoitteesta: www.mustang-grill.com. Mustang-huoltopalvelun yhteystiedot löydät osoitteesta www.mustang-grill.com.

VAARA:

Jos haistat kaasua:

1. Katkaise kaasunsyöttö laitteeseen.
2. Tukahduta mahdollinen avotuli. Älä käytä mitään sähkölaitteita.
3. Avaa kansi ja tuuleta alue.
4. Tarkista kaasuliitännät saippualluoksella.
5. Jos haju ei häviä, ota heti yhteyttä kaasuntoimitajaan tai palokuntaan.

TÄRKEÄÄ:

Ohjeen noudattamatta jättäminen voi johtaa vaaralliseen tulipaloon tai räjähdykseen.

Käyttäjän vastuulla on varmistaa, että grilli kootaan ja asennetaan oikein ja että sitä huolletaan asianmukaisesti. Tämän käyttöohjeen noudattamatta jättämisestä saattaa seurata vakavia henkilö- ja/tai esinevahinkoja.

Laitteeseen tehdyt muutokset sekä sen virheellinen käyttö ja ohjeiden noudattamatta jättäminen voivat johtaa vaaratilanteisiin.

VAROITUS:

Osat voivat olla erittäin kuumia. Pidä pienet lapset etäällä laitteesta.

Laite on pidettävä käytön aikana etäällä herkästi syttyvistä materiaaleista.

Säilytä tämä käyttöohje myöhempää tarvetta varten.

TEKNISET TIEDOT:

LAITTEEN KOODI:..... BLG15A12-03B (325035)
 KOKONAISLÄMPÖTEHO
 (KAIKKI KAASULUOKAT):..... 7,2 kW (524 g/h)
 KAASULUOKKA:..... I3B/P(30)
 KAASULAJIT:..... Nestekaasuseokset
 KAASUNPAINE:..... 30 mbar
 SUUTTIMEN KOKO:..... Pääpolttimet: 0,91 mm

GRILLI ON TARKOITETTU ULKOKÄYTTÖÖN HYVIN ILMASTOIDUISSA TILOISSA.

VAROITUS: GRILLIN KÄSITELTÄVÄT OSAT VOIVAT OLLA HYVIN KUUMIA. PIDÄ LAPSET POISSA GRILLIN LÄHELTÄ. LUE KÄYTTÖOHJEET ENNEN GRILLIN KÄYTTÖÄ.

TÄRKEÄÄ:

Lue seuraavat ohjeet huolellisesti ja varmista, että grilli kootaan ja asennetaan asianmukaisesti ja että sitä huolletaan oikealla tavalla. Jos ohjeita ei noudateta, seurauksena voi olla vakava loukkaantuminen ja omaisuusvahinkoja.

Jos sinulla on grillin kokoamiseen tai käyttöön liittyviä kysymyksiä, ota yhteyttä jälleenmyyjäsi.

Varmista, että grilli ja nestekaasupullo ovat vaaka-suoralla alustalla käytön aikana.

Grilliiä ei saa koskaan sytyttää kannen ollessa kiinni. Älä koskaan yritä sytyttää tai käyttää sivupoltinta kannen ollessa kiinni, sillä tämä voi aiheuttaa vaaratilanteen ja vahingoittaa grilliä.

Käytä grillissä vain käyttömaassa hyväksytyjä matalapainesäädintä ja kaasulettoa.

Jos nämä osat on vaihdettava, ota yhteyttä asiakaspalveluun tai jälleenmyyjäsi.

Hyväksymättömien osien käyttäminen grillissä voi aiheuttaa vaaratilanteen ja vaarallisen käyttöympäristön.

HUOMAUTUS KULUTTAJALLE: Säilytä ohjeet tulevaa käyttöä varten.

TURVAOHJEET

Tee kaikille liitoskohdille ohjeiden mukainen vuoto-testi aina säiliön täyttämisen tai pitkän käyttötauon jälkeen.

Älä koskaan käytä nestekaasusäiliötä, jos sen seinämät, venttiili, kaulus tai alusta ovat vahingoittuneet. Älä säilytä nestekaasusäiliötä grillin alla grilliä käytettäessä.

Alkoholin sekä resepti- ja käsikauppalääkkeiden käyttö voi heikentää käyttäjän kykyä koota laite oikein tai käyttää sitä turvallisesti.

Älä koskaan käytä grillissä hiiltä, sytytysnesteitä, laavakiveä, bensiiniä, kerosiinia tai alkoholia. Käytä ja säilytä bensiiniä tai muita herkästi syttyviä nesteitä tai höyryjä vähintään 7,6 metrin etäisyydellä laitteesta.

Tulenarkojen pintojen ja laitteen sivu- ja takaosien väliin on jätettävä tilaa vähintään yksi metri. Älä käytä laitetta tulenarkojen pintojen alla.

Älä käytä grilliä, jos sitä ei ole koottu kokonaan tai jos kaikkia osia ei ole kiinnitetty ja kiristetty tiukasti paikoilleen.

Puhdista ja tarkista grilli säännöllisesti ja kaasuletku ennen jokaista käyttökertaa. Jos letkussa on hankautumia, kulumia, viiltoja tai vuotoja, se on vaihdettava ennen laitteen käyttöä.

Käytä vain valmistajan hyväksymiä osia. Muiden kuin valmistajan hyväksymien osien käyttäminen on vaarallista. Se voi myös mitätöidä takuun.

Säilytä palonsammutusvälineitä lähettyvillä grillinlauksen aikana. Jos öljy tai rasva syttyy tuleen, älä yritä sammuttaa paloa vedellä. Käytä kemiallista jauhesammutinta tai tukahduta palo hiekalla tai sammutuspeitteellä.

Käytä laitetta vain tukevalla alustalla. Älä käytä sitä veneessä tai kulkuneuvossa.

Älä jätä sytytettyä grilliä ilman valvontaa ja pidä erityisesti lapset sekä eläimet aina etäällä grillistä.

Älä liikuta laitetta sen ollessa käytössä.

Avaa grillin kansi aina varovasti ja hitaasti, sillä grilliin muodostunut kuumuus ja höyry saattavat aiheuttaa vakavan palovamman.

Siirrä kaasuletkut mahdollisimman etäälle kuumista pinnoista ja tippuvasta kuumasta rasvasta.

Pidä kaikki sähköjohdot etäällä kuumasta grillistä.

Sulje kaasupullon kaasunsyöttö käytön jälkeen.

Älä koskaan peitä paistoaluetta kokonaan.

Älä koskaan peitä säiliöosaston ilmanvaihtoaukkoja.

Käytä aina suojakäsineitä käsitellessäsi kuumia osia.

LETKU JA PAINEENSÄÄDIN

Eivät sisälly toimitukseen. Käytä grillissä vain neste-kaasukäyttöön tarkoitettuja letkuja ja paineensäätimiä, jotka vastaavat edellä mainittua painearvoa. Paineensäätimen käyttöikä on arviolta 10 vuotta. Paineensäädin suositellaan vaihtamaan 10 vuoden sisällä valmistuspäivämäärästä.

Vääräntyyppisen letkun tai paineensäätimen käyttö on vaarallista. Varmista aina ennen käyttöä, että grillissä on oikeantyyppinen letku ja paineensäädin. Letkun on oltava paikallisten määräysten mukainen, ja sen pituus saa olla enintään 1,2 metriä ja sisähalkaisija 10 mm. Kulunut tai vaurioitunut letku on vaihdettava uuteen. Varmista, ettei letku ole mutkalla tai tukossa ja että se on kosketuksissa ainoastaan letkun liittimeen eikä muihin pintoihin.

GRILLIN VARASTOINTI

Grilliä saa säilyttää sisätiloissa vain, jos nestekaasupullo on irrotettu grillistä ja siirretty pois sen läheisyydestä. Jos grilliä ei käytetä pitkään aikaan, se tulee asettaa pakkaukseensa ja säilyttää kuivassa ja pölyttömässä tilassa.

NESTEKAASUSÄILIÖ

Nestekaasusäiliötä ei saa pudottaa eikä käsitellä kovakouraisesti! Jos grilliä ei käytetä, nestekaasusäiliö on irrotettava grillistä. Aseta nestekaasusäiliön suojus paikalleen irrottamisen jälkeen.

Nestekaasupullo on säilytettävä pystyasennossa ulkotiloissa ja poissa lasten ulottuvilta. Nestekaasupullo ei saa koskaan varastoida paikkaan, jossa lämpötila voi ylittää +50 °C. Älä varastoi nestekaasupulloa tilaan, jossa on avotulta, sytytysliekkejä tai muita syttymislähteitä.

ÄLÄ TUPAKOI NESTEKAASUPULLON LÄHEISYYDESSÄ.

Tämä grilli on tarkoitettu ulkokäyttöön. Grillin lähellä ei saa olla helposti syttyviä materiaaleja. On tärkeää, että grillin yläpuolella ei ole ilmankulkua tukkivia esineitä. Grillin takana ja sivuilla on oltava myös vähintään yksi metri tyhjää tilaa. Grillin tuuletusaukot eivät saa tukkeutua. Grilliä saa käyttää vain tukevalla ja vaakasuoralla alustalla. Grilli täytyy suojata suoralta ilmavirrasta ja sijoittaa tai suojata niin, ettei sen päälle pääse satamaan tai valumaan vettä millään tavalla.

Grillin osiin ei saa tehdä minkäänlaisia muutoksia, ja grillin saa huoltaa tai korjata vain hyväksytyt kaasuasennusliike.

NESTEKAASUPULLON KYTKEMINEN GRILLIIN

Varmista ennen kytkemistä, ettei nestekaasupullon suun päällä, paineensäätimessä, polttimessa tai polttimen suuttimissa ole likaa tai roskaa. Hämähäkit ja hyönteiset voivat kerääntyä sisälle ja tukkia polttimen ja sen sisuksen. Tukkeutunut poltin voi sytyttää tulipalon grillin alapuolelle.

Puhdista polttimen reiät tehokkaalla putkenpuhdistusaineella.

Aseta letku grillin yhdyskappaleeseen ja kiristä se kiintoavaimella. Jos letku vaihdetaan, se on kiinnitettävä grilliin ja paineensäätimeen letkunpuristimella. Jos grilliä ei käytetä, paineensäädin on irrotettava nestekaasupullosta ohjeiden mukaisesti.

Grilliä saa käyttää vain hyvin ilmastoidulla paikalla. Älä estä tai rajoita palamisilman kulkua polttimeen grillin käytön aikana. GRILLIÄ SAA KÄYTTÄÄ VAIN ULKOTILOISSA.

TARKISTA ENNEN KÄYTTÖÄ, ETTEI LETKUSSA TAI LIITOSKOHDISSA OLE VUOTOJA.

Älä koskaan etsi vuotoja avoliemillä tai tulen avulla. Käytä vuotojen paikantamiseen saippuavettä.

VUOTOJEN TARKASTAMINEN

Tee 6–9 desilitraa saippuavettä vuotojen tarkastamiseen sekoittamalla yksi osa astianpesuainetta kolmeen osaan vettä.

Varmista, että säätöventtiili on OFF-asennossa. Yhdistä paineensäädin nestekaasupulloon ja ON/OFF-venttiili polttimeen. Varmista, että liitännät on kiinnitetty kunnolla, ja käännä sen jälkeen kaasu päälle (ON).

Hiero saippuavettä harjalla letkuun ja liitoskohtiin. Jos havaitset kuplia, kyseessä on vuoto, joka on korjattava ennen grillin käyttöä.

Tarkista liitännät ja letku uudelleen vuodon korjauksen jälkeen.

Käännä kaasu pois päältä (OFF) nestekaasupullostaa tarkastamisen päätyttyä.

Jos havaitset vuodon, jota et saa korjattua, ota yhteys kaasuntoimittajaasi korjaustoimia varten.

GRILLIN SYTYTTÄMINEN

Ensimmäinen käyttö

Grilliä on pidettävä päällä noin 15 minuuttia kansi kiinni ja kaasunsyöttö HI-asennossa ennen ensimmäistä grillauskertaa. Tämä kuumapuhdistaa grillin sisäiset osat.

Grilli on puhdistettava jokaisen käyttökerran jälkeen. ÄLÄ KÄYTÄ hankaavia tai tulenarkoja puhdistusaineita, sillä ne vahingoittavat grillin osia ja voivat sytyttää tulipalon. Puhdista grilli saippuavedellä.

VAROITUS: Grillin käsiteltävät osat voivat olla hyvin kuumia. Pidä lapset poissa kuuman grillin läheltä myös sen jäähtyessä! Hyvin kuumia osia käsiteltäessä on suositeltavaa käyttää suojakäsineitä (esim. uunikintaita).

Pääpolttimien sytytysohjeet

1. Avaa grillin kansi ennen polttimien sytyttämistä.
2. Käännä kaikki säätönupit myötäpäivään OFF-asentoon ("•").
3. Yhdistä paineensäädin nestekaasupulloon. Avaa kaasunsyöttö (ON) paineensäätimestä. Tarkasta saippuavedellä, onko nestekaasupullon ja paineensäätimen välillä kaasuvuotoja.
4. Paina säätönuppi pohjaan ja käännä sitä vastapäivään, kunnes tunnet jousivastuksen. Pidä nuppia tässä asennossa 3–5 sekuntia, jotta kaasu pääsee virtaamaan. Käännä "HI" -asentoon vastapäivään.

Tarkasta, onko poltin syttynyt. Jos poltin ei ole syttynyt, toista prosessi.

5. Jos poltin ei edelleenkään syty, käännä säätönuppi OFF-asentoon ("•"). Odota noin 5 minuuttia ja toista sitten vaihe 4.

6. Säädä lämpöä kääntämällä säätönuppia HI - ja LO-asentojen välillä.

7. Sytytä toiset polttimet painamalla niitä vastaava säätönuppi pohjaan ja kiertämällä sitä vastapäivään täyteen tehoon (HI). Poltinten välinen sytytyskanava sytyttää polttimet. Sytytä polttimet järjestyksessä.

8. Jos poltin ei syty, sytytä grilli tulitikulla grillin kyljessä olevasta sytytysaukosta.

9. Sammuta grilli kääntämällä nestekaasupullon venttiili tai paineensäätimen venttiili OFF-asentoon ja käännä sen jälkeen grillin säätönupit OFF-asentoon ("•").

Varoitus: Jos poltin ei syty, käännä säätönuppi kiinni (myötäpäivään) ja sulje myös nestekaasupullon venttiili. Odota 5 minuuttia ennen kuin yrität sytyttää grillin uudelleen ohjeiden mukaisessa järjestyksessä.

PUHDISTUS JA KUNNOSSAPITO

HUOMIO

Kaikki puhdistus- ja kunnossapitotoimet on suoritettava vain silloin, kun grilli on jäähtynyt ja nestekaasupullon venttiili on suljettu.

Puhdistus

Grillin pitäminen kuumana noin 15 minuuttia käytön jälkeen auttaa irrottamaan ruoanjäänteet.

Ulkopinta

Käytä ulkopinnan puhdistamiseen miettoa pesuainetta tai lämmintä leivinsooda-vesiliuosta. Sitkeät tahrat voi poistaa hellävaraisella hankausjauheella ja vedellä.

Jos grillin kannen sisäpinta näyttää siltä kuin siitä kuoriutuisi maalia, tämä johtuu grillauksen aikana hiileksi muuttuneen rasvan hilseilystä. Puhdista sisäpinta tällöin vahvalla saippuavesiliuoksella. Huuhtelee sisäpinta vedellä ja anna sen kuivua kokonaan. ÄLÄ KOSKAAN KÄYTÄ PUHDISTAMISEEN UUNIN-PUHDISTUSAINETTA.

Grillin sisäpohja

Poista ruoanjäänteet harjalla, raapalla ja/tai puhdistussienellä ja pese sen jälkeen saippuavedellä. Huuhtelee vedellä ja anna kuivua.

Valurautaritilä / Valurautaparila

Pese ritilä / parila kuumalla vedellä ja hankaamalla

lastalla tai terässienellä. Pyyhkäise pintaan kevyesti ruokaöljyä säilytyksen ajaksi.

Polttimen puhdistus

Käännä kaasu pois päältä (OFF) ja irrota nestekaasupullo.

Irrota jäähdytysritilä.

Puhdista poltin pehmeällä harjalla tai paineilmalla ja pyyhi sen jälkeen liinalla.

Puhdista tukkeutuneet suuttimet putkenpuhdistusaineella tai rautalangalla (esim. auki väännetyllä paperiliittimellä).

Tarkasta, onko polttimessa vaurioita (murtumia tai reikiä). Vaurioitunut poltin on vaihdettava uuteen. Asenna uusi poltin paikalleen ja varmista, että kaasuventtiilin suuttimet ovat oikeassa asennossa ja kiinnitetty paikalleen.

GRILLIN HUOLTO

Kaasugrilli tulee huoltaa vuosittain. Tarkista huoltopalvelun puhelinnumero verkkosivuilta mustang-grill.com.

TAKUU

Kaikki Mustangin tuotteet on valmistettu huolellisesti ja niiden laatu testattu ennen tuotteiden lähtöä tehtaalta. Tällä grillillä ja sen osilla on 24 kuukauden takuu, joka on voimassa ostopäivästä alkaen. Takuu koskee valmistus- ja materiaalivirheitä.

Osien normaali kuluminen, ruostuminen tai ruostumisesta johtuvat viat eivät kuulu takuuseen. Esim. keraamisten pintojen halkeilu, teräspintojen värimuutokset ja ruostepilkkujen ilmaantuminen ovat ajan myötä ja käytössä normaalia eivätkä estä grillin käyttöä. Takuun piiriin eivät myöskään kuulu käytössä kuluvat tai ruostuvat osat, kuten valurauta- ja ruostumattomasta teräksestä valmistetut putkipolttimet, lämmönjakopellit, grillausritilät ja -parilat ja lämmitysritilät. Itse koottavissa grilleissa asiakas asentaa ja vaihtaa osat aina itse ohjeiden mukaan. Mikäli ohjetta ei noudateta, takuu raukeaa. Lue aina käyttöohje huolella läpi ja noudata sitä. Takuu ei kata käyttöohjeiden vastaisesta käytöstä tai huollon laiminlyönnistä johtuvia jälkiä tai vikoja.

Takuu ei ole voimassa myöskään, mikäli tuotetta käytetään kaupallisessa valmistus-, myynti- tai vuokraustarkoituksessa. Takuu ei heikennä Suomessa voimassa olevaa kuluttajansuojalakia.

Jos tuotteessa tai sen osassa ilmenee vika takuaikana, ole yhteydessä maahantuojaan tai www.mustang-grill.com:in kautta Mustang Tukipalveluun. Ennen takuuvaatimusten esittämistä lue vielä käyt-

töohje huolella läpi ja tarkista, että olet noudattanut sitä. Maahantuoja hoitaa kaikki takuukäsittelyt. Viallisen tai puuttuvan osan tilalle lähetetään uusi osa. Asiakas vastaa itse viallisen tai puuttuvan osan asentamisesta.

Takuu on voimassa vain esitettäessä kopio ostokuitista. Ostokuitista pitää ilmetä myyjäliikkeen nimi, grillin merkki ja mallinumero sekä ostopäivä. Takuuvaatimuksessa pitää olla seuraavat tiedot: grillin merkki ja mallinumero, reklamaation syy, viallisen osan osanumero osaluettelon mukaisesti, kopio ostokuitista tai selvitys ostopaikasta sekä ostopäivä, kuluttajan nimi, puhelinnumero, katuosoite, postinumero ja -toimipaikka.

Gratulerar till ditt val av en Mustang-produkt! Mustangs serie med grillprodukter är designad för tillredning av god mat. I produktserien ingår ett omfattande sortiment av grill- och matlagingsprodukter. Bekanta dig med hela sortimentet på webben www.mustang-grill.com eller hos närmaste auktoriserade Mustang-återförsäljare.

Vi utvecklar ständigt Mustang-produktserien och de produkter som tillhör den. För att garantera kvaliteten har feedbacken från användarna en särskilt viktig roll i vår produktutveckling. Vi tar gärna emot feedback om produkterna på adressen mustang@mustang-grill.com.

Den här produkten är designad för en bekymmerfri och problemfri användning under flera år framåt. Läs noga igenom bruksanvisningen för att få ut mest nytta av apparaten. När du ser till att regelbundet rengöra och underhålla grillen förlänger du dess livslängd och säkerhet. I Mustang-produktserien hittar du även lämpliga rengöringsmedel och borstar för rengöring av grillen.

Ytterligare information finns på adressen www.mustang-grill.com. Kontaktuppgifter till Mustang-underhållsservice hittar du på adressen www.mustang-grill.com.

FARA:

Om du känner lukten av gas:

1. Stäng av gastillförseln till grillen.
2. Släck eventuell öppen eld och använd inga elektriska apparater.
3. Öppna locket och ventiler området.
4. Kontrollera gaskopplingarna med tvållösning.
5. Om det fortfarande luktar gas ska du omedelbart kontakta gasleverantören eller brandkåren.

VIKTIGT:

Om anvisningarna inte följs kan en farlig brand eller explosion uppstå.

Användaren ansvarar för att grillen monteras, installeras och underhållas på rätt sätt. Om anvisningarna i den här användarhandboken inte följs kan det resultera i allvarliga personskador och/eller skador på föremål.

Det kan vara farligt att modifiera grillen, att använda den på fel sätt och att inte följa anvisningarna.

WARNING!

Delarna kan bli mycket varma. Håll små barn på avstånd.

Grillen får inte vara i närheten av lättantändliga material när den används.

Spara denna bruksanvisning för framtida referens.

TEKNISK INFORMATION:

PRODUKTKOD: BLG15A12-03B (325035)
 TOTAL EFFEKT
 (ALLA GASKATEGORIER):..... 7,2 kW (524 g/h)
 GASKATEGORI:.....I3B/P(30)
 TYPER AV GAS:.....Gasolblandningar
 GASTRYCK: 30 mbar
 INJEKTORSTORLEK:Huvudbrännare: 0,91 mm

GRILLEN ÄR AVSEDD FÖR UTMOMHUSBRUK I VÄL VENTILERADE UTRYMMEN.

WARNING: GRILLENS ÅTKOMLIGA DELAR KAN BLI MYCKET VARMA. HÅLL BARN BORTA FRÅN GRILLEN.

LÄS BRUKSANVISNINGEN INNAN DU ANVÄNDER GRILLEN.

VIKTIGT:

Läs följande anvisningar noggrant och se till att grillen monteras, installeras och underhålls korrekt. Underlåtenhet att följa dessa instruktioner kan resultera i allvarlig kroppsskada och skada på föremål. Om du har frågor om montering eller drift av grillen, kontakta din återförsäljare.

Se till att grillen och gasolbehållaren placeras på en plan yta vid användning.

Tänd aldrig grillen när locket är på.

Försök aldrig tända eller använda sidobrännaren när locket ligger på, eftersom detta kan leda till fara och skada grillen.

Använd endast lågtrycksregulator och gasslang som är godkända i användningslandet!

Om det är nödvändigt att byta ut dessa delar, kontakta vår kundtjänst eller din återförsäljare.

Användning av icke-godkända delar i grillen kan leda till farliga situationer och en farlig användningsmiljö.

INFORMATION TILL KONSUMENTEN: Spara anvisningarna för framtida referens.

SÄKERHETSANVISNINGAR

Läckagetesta alla kopplingar enligt anvisningarna efter varje påfyllning av behållaren eller när grillen ska användas för första gången efter ett långt uppehåll.

Använd aldrig gasolbehållaren om den har skador på hölje, ventil, krage eller underredet.

Förvara aldrig gasolbehållaren under grillen när du använder grillen.

Användarens förmåga att montera grillen korrekt och använda den på ett säkert sätt kan försämrats vid användning av alkohol samt receptfri och receptbelagd medicin.

Använd aldrig grillkol, tändvätska, lavastenar, ben-

sin, fotogen eller alkohol i grillen.

Använd och förvara bensin eller andra lättantändliga vätskor eller ångor på ett avstånd av minst 7,6 meter från grillen.

Avståndet från enhetens sidor och baksida till lättantändliga ytor bör vara minst en meter. Grillen får inte användas under lättantändliga ytor.

Använd inte grillen om den inte är fullständigt monterad eller om alla komponenter inte är ordentligt fastsatta och åtdragna.

Grillen ska rengöras och inspekteras regelbundet. Gasslangen ska rengöras och inspekteras före varje användning. Om det finns tecken på skav, slitage, skador eller läckage på slangen måste den bytas ut innan grillen används.

Använd endast av tillverkaren godkända delar. Det är farligt att använda delar som inte är godkända av tillverkaren. Detta kan även göra garantin ogiltig.

Ha alltid brandsläckningsredskap nära till hands när grillen används. Brinnande olja eller fett får aldrig släckas med vatten. Använd en kemisk pulversläckare eller kväv elden med sand eller brandfilt.

Grillen får endast användas på en stadig yta. Den får inte användas på båtar eller i fordon.

Håll alltid en tänd grill under uppsikt och håll särskilt barn och djur på avstånd från grillen.

Flytta inte grillen under användning.

Öppna alltid grilllocket långsamt och försiktigt eftersom värme och ånga som bildas inne i grillen kan orsaka allvarliga brännskador.

Se till att gasslangarna är på största möjliga avstånd från heta ytor och droppande varmt fett.

Håll alla elsladdar på avstånd från den varma grillen. Stäng av gasolflaskans gastillförsel efter användning.

Täck aldrig över hela tillagningsytan.

Blockera aldrig ventilationsöppningarna på behållarenheten.

Använd alltid skyddshandskar när du hanterar varma delar.

SLANG OCH TRYCKREGULATOR

Medföljer inte. Använd endast slangar och tryckregulatorer som är godkända för gasol och motsvarar ovanstående tryckvärde. Den förväntade livslängden för tryckregulatorn är ca 10 år. Det rekommenderas att tryckregulatorn byts ut inom 10 år efter tillverkningsdatum.

Användning av fel slags slang eller tryckregulator är farligt. Kontrollera alltid att du har rätt typ av slang och tryckregulator innan du använder grillen.

Slangen måste uppfylla lokala standarder. Längden på slangen får vara högst 1,2 meter och inre diametern 10 mm. En sliten eller skadad slang måste bytas ut. Se till att slangen inte är blockerad, böjd eller i

kontakt med någon del av grillen förutom vid dess anslutning.

FÖRVARING AV GRILLEN

Förvaring inomhus är endast tillåten om gasolbehållaren är frånkopplad från grillen och förflyttats bort från dess närhet. Om grillen inte används under en längre tidsperiod bör den förvaras i sin originalförpackning i ett torrt och dammfritt utrymme. Gasolbehållare

Gasolbehållaren får inte tappas eller hanteras hårdhänt! Om grillen inte används måste gasolbehållaren kopplas bort från grillen. Sätt tillbaka skyddet på gasolbehållaren efter frånkoppling från grillen. Gasolflaskan måste förvaras utomhus i ett upprätt läge och oåtkomligt för barn. Gasolflaskan får aldrig förvaras i ett utrymme där temperaturen kan stiga över 50°C. Förvara inte gasolflaskan nära öppen eld, pilotlågor eller andra tändningskällor.

RÖK INTE I NÄRHETEN AV GASOLFLASKAN.

Denna grill är avsedd att användas utomhus långt från alla lättantändliga material. Det är viktigt att det inte finns några förmål ovanför grillen som kan blockera luftströmmen. Det bör finnas ett avstånd på minst en meter från sidorna och baksidan av grillen. Se också till att ventilationsöppningarna på grillen inte är blockerade. Grillen får endast användas på ett plant och stabilt underlag. Grillen ska skyddas från direkt vind och placeras så att det inte kan regna eller rinna vatten på den på något sätt. Inga ändringar får utföras på någon del av grillen och reparationer och underhåll får endast utföras av ett godkänt gasinstallationsföretag.

Anslutning av gasolbehållaren till grillen

Innan anslutning av gasolbehållaren se till att det inte finns smuts eller skräp i behållarens öppning, i tryckregulatorn, i brännaren eller brännaröppningarna. Spindlar och insekter kan bygga bo i och tappa till brännaren och dess insida. En tilltäppt brännare kan leda till en brand under grillen. Rengör brännarens hål med en kraftig piprensare. Montera slangen till grillanslutningen med hjälp av en skiftnyckel och att dra åt ordentligt. Om slangen byts ut måste den fästas till grillen och tryckregulatorn med slangklämmor. Om grillen inte används, koppla bort tryckregulatorn från gasolbehållaren enligt instruktionerna.

Grillen får endast användas i väl ventilerade områden. Blockera eller hindra inte flödet av förbränningsluft till brännaren när grillen används. **GRILLEN FÅR ENDAST ANVÄNDAS UTOMHUS.**

KONTROLLERA INNAN ANVÄNDNING ATT DET INTE FINNS LÄCKOR PÅ SLANGEN ELLER KOPPLINGAR. Kontrollera aldrig läckor med en öppen låga eller

med hjälp av eld. Använd tvålvatten för att hitta läckor.

KONTROLLERA LÄCKOR

Gör 6-9 deciliter tvålvatten för att kontrollera läckor genom att blanda en del diskmedel med tre delar vatten.

Se till att reglerventilen är ställd i OFF-läget.

Anslut tryckregulatorn till gasolbehållaren och ON/OFF-ventilen till brännaren. Se till att anslutningarna är ordentligt fastsatta och vrid sedan på gasen (ON).

Stryk ut tvålvatten på slangen och kopplingarna med en borste. Om bubblor uppstår har du en läcka som måste åtgärdas före användning av grillen. Testa slangen och kopplingarna igen efter att du har åtgärdat läckan.

Stäng av gasen (OFF) på gasolbehållaren efter kontrollen.

Om en läcka upptäcks som du inte kan åtgärda själv, kontakta din gasolleverantör för reparation.

TÄNDA GRILLEN

Första användningstillfället

Innan du använder grillen för första gången, låt grillen stå på i cirka 15 minuter med locket stängt och gastillförseln i HI-läge. Detta kommer att värmerengöra de inre delarna av grillen.

Rengör grillen efter varje användning. ANVÄND INTE slipande eller lättantändliga rengöringsmedel eftersom de skadar grillens delar och kan starta en brand. Rengör grillen med tvålvatten.

VARNING: Grillens åtkomliga delar kan bli mycket varma. Håll barn borta från den heta grillen även under nedkylning! Det rekommenderas att använda skyddshandskar (t.ex. grillvantar) vid hantering av särskilt varma delar.

Tändningsanvisningar för huvudbrännarna

1. Öppna grillens lock innan du börjar tända brännarna.
2. Vrid alla reglageknapparna medurs till OFF-läget ("•").
3. Koppla tryckreglaget till gasolflaskan. Vrid på gasmatningen (ON) på tryckreglaget. Kontrollera med tvålvatten om det finns gasläckor mellan gasolflaskan och tryckreglaget.
4. Tryck in reglageknappen ända ner i botten och vrid den moturs tills du känner fjädermotståndet. Håll knappen i detta läge i 3-5 sekunder så att gasen kan strömma. Vrid moturs till "HI"-läget. Kontrollera om brännaren har tänts. Om brännaren inte har

tänts, upprepa processen.

5. Om brännaren fortfarande inte tänts, vrid reglageknappen till OFF-läget ("•"). Vänta ca 5 minuter och upprepa steg 4.

6. Justera värmen genom att vrida reglageknappen mellan HI- och LO-lägena.

7. Tänd de andra brännarna genom att trycka in den motsvarande reglageknappen i botten och vrida den moturs till full effekt (Max). Tändningskanalen mellan brännarna tänds brännarna. Tänd brännarna i ordningsföljd.

8. Om brännaren inte tänts, tänd grillen med en tändsticka genom tändhålet i sidan på grillen.

9. Släck grillen genom att vrida gasolflaskans ventil eller tryckreglagets ventil till OFF-läget och vrid därefter grillens reglageknapp till OFF-läget ("•").

Varning: Om brännaren inte tänts, vrid igen reglageknappen medurs och stäng även gasolflaskans ventil. Vänta 5 minuter innan du försöker tända grillen igen enligt ordningsföljden i anvisningarna.

RENGÖRING OCH UNDERHÅLL

OBSERVERA

All rengöring och allt underhåll bör utföras när grillen är sval och gasolbehållarens ventil är stängd.

RENGÖRING

Genom att hålla grillen varm i ca 15 minuter efter användning blir det lättare att ta bort kvarblivna matrester.

Utvändig ytor

Använd ett mildt tvättmedel eller en lösning av baksoda och varmt vatten. På envisa fläckar kan man använda skonsamt skurpulver och vatten. Om insidan av grillens lock ser ut som om färgen lossnar beror detta oftast på att fett har förvandlats till kol och flagar av. Rengör insidan noga med en stark lösning av tvålvatten. Skölj med vatten och låt torka helt.

ANVÄND ALDRIG UGNSRENGÖRINGSMEDEL.

Insidan av grillbotten

Ta bort matrester med hjälp av en borste, skrapa och/eller rengöringsvamp och rengör sedan med tvålvatten. Skölj med vatten och låt torka.

Gjutjärnsgaller / Gjutjärnshalster

Tvätta gallret / halstret med varmt vatten och med en skrapa eller stålsvamp. Stryk ytan lätt med matolja inför förvaring.

Rengöring av brännaren

Stäng av gasen (OFF) och koppla bort gasolbehållaren.

Ta bort kylningsgallret.
Rengör brännaren med en mjuk borste eller tryckluft och torka av med en trasa.
Rengör tilltäppta munstycken med rörrengöringsmedel eller en metalltråd (t.ex. ett öppnat gem).
Kontrollera brännaren för skador (sprickor eller hål).
Om du hittar en skada, byt ut den skadade brännaren till en ny brännare. Montera den nya brännaren och se till att gasventilens munstycken är rätt placerade och säkrade.

UNDERHÅLL

Gasolgrillen bör underhållas årligen. Kontrollera telefonnumret till servicetjänsten på webbplatsen mustang-grill.com.

GARANTI

Alla Mustangs produkter är noggrant tillverkade och kvalitetstestade innan de lämnar fabriken. Den här grillen och dess delar har 24 månaders garanti som gäller från och med inköpsdatumet. Garantin täcker tillverknings- och materialfel.

Delarnas normala slitage, rostning eller fel som beror på rost täcks inte av garantin. Med tiden är det normalt att till exempel de keramiska ytorna spricker, att stålytorna ändrar färg och att rostfläckar uppstår under användning och de hindrar inte användningen av grillen. Garantin gäller inte heller delar som slits eller rostar vid användning såsom rörbrännare, värmefördelningsplåtar, grillgaller och -halster och värmegaller tillverkade av gjutjärn och rostfritt stål. När det gäller självmonterade grillar monterar och byter kunden själv delarna enligt anvisningarna. Om anvisningarna inte följs, upphör garantin att gälla. Läs alltid igenom bruksanvisningen noggrant och följ den. Garantin täcker inte spår och fel som orsakas av otillräckligt underhåll eller av användning som strider mot bruksanvisningen.

Garantin gäller heller inte om produkten används i kommersiella tillverknings-, försäljnings- eller uthyrningsändamål. Garantin försvagar inte konsumentskyddslagen som gäller i Finland.

Om ett fel upptäcks på produkten eller dess delar under garantitiden, kontakta importören eller Mustangs stödservice via www.mustang-grill.com. Läs noggrant igenom bruksanvisningen och kontrollera att du har följt den innan du framför ett garantikrav. Importören sköter all garantihantering. En ny del skickas som ersättning för en defekt eller saknad del. Kunden ansvarar själv för montering av en defekt eller saknad del.

Garantin gäller endast vid uppvisande av inköpskvitto. På inköpskvittot ska försäljarbutikens namn, grillens märke och modellnummer samt inköpsdatum framgå. Ett garantikrav ska ha följande uppgifter: grillens märke och modellnummer, orsak för reklamation, den defekta delens delnummer enligt delförteckningen, kopia på inköpskvittot eller redogörelse från inköpsstället samt inköpsdatum, konsumentens namn, telefonnummer, gatuadress, postnummer och ort.

Õnnitleme Teid Mustang-toote valiku puhul! Mustangi sarja grillimistooded on välja töötatud hea toidu valmistamiseks. Toode hulgas on lai valik grillimis- ja toiduvalmistamistoodet. Tutvuge kõigi toodetega internetis aadressil www.mustang-grill.com või lähima Mustangi sarja toodete edasimüüja juures.

Arendame pidevalt Mustangi sarja tootevalikut ja sellesse kuuluvaid tooteid. Kasutajatelt saadav tagasiside on meie tootearenduses kvaliteedi tagamiseks eriti tähtsal kohal. Ootame meelsasti toodetesse puutuvat tagasisidet meiliaadressil mustang@mustang-grill.com.

Käesolev toode on mõeldud muretuks ja probleemiteta kasutamiseks paljude aastate jooksul. Tutvuge hoolikalt kasutusjuhendiga, et võiksite seadme võimalused maksimaalselt ära kasutada. Grilli regulaarne puhastamine ja hooldus pikendab selle kasutusaega ja turvalisust. Mustangi tootevalikust leiate ka vajalikud puhastusvahendid ja harjad.

Lisainfot leiate aadressil www.mustang-grill.com. Mustangi sarja toodete hooldusega tegelevate ettevõtete kontaktid leiate aadressil www.mustang-grill.com.

OHT:

Kui tunnete gaasilõhna, siis toimige järgmiselt.

1. Sulgege gaasi juurdrvool seadmesse.
2. Kustutage kõik lahtised leegid ja hoiduge mis tahes elektriliste seadmete kasutamisest.
3. Avage kaas ja tuulutage seda ala.
4. Kontrollige gaasiühendusi seebivee abil.
5. Kui gaasilõhn püsib, siis võtke kohe ühendust gaasifirma või tuletõrjega.

OLULINE:

Nende juhiste eiramine võib põhjustada ohtliku tulekahju või plahvatuse.

Kasutaja kohustuseks on kontrollida, et grillahi oleks õigesti kokku pandud, paigaldatud ja korralikult hooldatud. Selles kasutusjuhendis toodud juhiste eiramine võib põhjustada raskeid kehavigastusi ja/või varalist kahju.

Seadmele mis tahes muudatuste tegemine, selle vale kasutamine või nende juhiste eiramine võib olla ohtlik.

HOIATUS!

Seadme osad võivad minna väga kuumaks. Hoidke lapsed seadmest ohutus kauguses.

Seda seadet tuleb kasutamise ajal kergsüttivatest materjalidest eemal hoida.

Hoidke see juhend edaspidiseks tarbeks alles.

TEHNILINE TEAVE

SEADME KOOD:..... BLG15A12-03B (325035)
 SUMMAARNE KÜTTEVÕIMSUS
 (KÕIK GAASIKLASSID):..... 7,2 kW (524 g/h)
 GAASI KLASS:I3B/P(30)
 GAASI TÜÜBID:.....Vedelgaasi segud
 GAASI RÕHK: 30 mbar
 DÜÜSI LÄBIMÕÖT:..... Grillipõletil: 0,91 mm

KASUTAMISEKS VÄLJASPOOL RUUME JA HÄSTI VENTILEERITUD KOHAS.

HOIATUS. LIGIPÄÄSETAVAD OSAD VÕIVAD OLLA VÄGA KUUMAD. HOIDKE VÄIKELAPSED EEMAL.

ENNE SEADME KASUTAMIST LUGEGE KASUTUSJUHEID LÄBI.

OLULINE

Lugege alljärgnevat juhised hoolikalt läbi ja veenduge, et teie grillahi on õigesti paigutatud, kokku pandud ja hooldatud. Nende juhiste eiramine võib põhjustada raskeid kehavigastusi ja/või varakahju. Kui koostamise või töötamise suhtes on küsimusi, pidage nõu oma edasimüüjaga.

Paigutage seade ja balloon kasutamise ajaks horisontaalsele pinnale.

Ärge kunagi süüdake seadet sel ajal, kui kate on suletud asendis.

Ärge mingil juhul püüdke külgpõletit süüdata või kasutada suletud kaanega, sest see võib tingida ohtliku olukorra või seadet vigastada.

Kasutage grillahjus ainult tootja poolt heakskiidetud madalrõhu reguleerimiseadet ja gaasivoolikut! Kui neid osasid peab vahetama, võtke ühendust klienditeeniduse või edasimüüjaga.

Mitte heakskiidetud osade kasutamine võib tekitada ohtliku olukorra ja ohtliku keskkonna.

MÄRKUS KASUTAJALE. Hoidke juhend alles edasiseks kasutuseks.

OHUTUSJUHESED

Tehke lekkek kontroll kõigile ühendustele pärast igat täitmist või esimest kasutuskorda üle pika aja.

Ärge kasutage mitte kunagi gaasiballooni, mille kere, ventiil, kaitsevõru või alus on kahjustatud.

Ärge hoidke varuballooni seadme all grillahju kasutamise ajal.

Alkoholi või ravimite tarbimine võib mõjutada kasutaja võimet seadet õigesti kokku panna või seda turvaliselt kasutada.

Ärge kasutage mitte kunagi selles seadmepuusütt, süütevedelikku, laavakive, bensini, petrooleumi või alkoholi.

Ärge hoidke ega kasutage bensini või muid kergesti süttivaid vedelikke või gaase seadmele lähemal kui 7,6 m.

Minimaalne kaugus seadme külgedel ja taga olevatest tuleohtlikest pindadest: 1 m. Ärge kasutage seadet kergesti süttiva pinna all.

Grillahju tohib kasutada ainult siis, kui see on täielikult kokku pandud ning kõik selle osad on oma kohal ja kindlalt kinnitatud.

Grillahju tuleb regulaarselt puhastada ja kontrollida; puhastage ja kontrollige voolikut enne seadme igat kasutuskorda. Kui voolik on kas kulunud, vigastatud või esineb lekkeid, siis tuleb voolik enne grillahju kasutamist välja vahetada.

Kasutage ainult tootja poolt heakskiidetud osi. Teiste, kui tootja poolt heakskiidetud osade, kasutamine on ohtlik. See võib ka seadme garantii kehtetuks muuta.

Grillimise ajal peavad tulekustutusvahendid käepärast olema. Ärge püüdke põlevat õli või rasva veega kustutada. Kasutage tüübiga keemilist pulberkustutit või lämmatage tuli liiva või kustutustekiga.

Kasutage seadet ainult stabiilsel pinnal; ärge kasutage seda paadis ega sõidukis (nt haagiselamus).

Ärge jätke põlevat grillahju järelevalveta ning hoidke kindlasti lapsed ja loomad sellest alati eemal.

Ärge liigutage grillahju kasutamise ajal.

Tõstke grillikaant alati ettevaatlikult ja aeglaselt, sest selle alla kogunenud kuumus ja aur võivad raskeid põletusi tekitada.

Paigutage gaasivoolikud nii, et need jääksid kuumadest pindadest ja tilkuvast kuumast rasvast võimalikult kaugele.

Hoidke kõik elektrijuhtmed kuumast grillahjust eemal.

Kui olete grillahju kasutamise lõpetanud, siis sulgege gaasi juurdevool.

Ärge mitte kunagi katke korraga kogu küpsetuspinda.

Ärge mitte kunagi toppige kinni ballooniaosa õhuavasid.

Kuumade osade käsitlemisel tuleb kanda kaitsekin-daid.

VOOLIK JA RÕHUREGULAATOR

Ei kuulu komplekti. Kasutage ainult vedelgaasi kasutamiseks mõeldud voolikut ja rõhuregulaatorit, mis vastavad eelpool mainitud rõhuväärtusele. Rõhuregulaatori eeldatav tööiga on 10 aastat. Soovitatakse regulaator tootmise kuupäevast arvestades 10 aasta pärast vahetada.

Vale tüüpi rõhuregulaatori või vooliku kasutamine on ebaturvaline. Kontrollige alati enne grillahju kasutamist üle, et teil on õiget tüüpi voolik ja rõhuregulaator.

Kasutatav voolik peab vastama kasutuskoha asukohariigi asjassepuutuvale standardile. Voolik tohib olla pikkusega maksimaalselt 1,2 meetrit ja sisemine läbimõõt 10 mm. Kulunud või vigastatud voolik tuleb asendada. Veenduge, et voolik ei oleks ummistunud, keerduks ega puutu ühegi grillahju osa/pinna vastu, välja arvatud vooliku ühenduskoht.

Seadme hoiustamine

Seadet tohib hoida ruumis vaid siis, kui gaasiballoon on lahti ühendatud ja seadmelt eemaldatud. Kui seadet pikka aega ei kasutata, tuleb seda hoida originaalpakendis ja hoiustada kuivas ja tolmuvabas kohas.

GAASIBALLOON

Gaasiballooni ei tohi lasta maha kukkuda ega hooltult käsitseda! Kui seade ei ole kasutuses, tuleb gaasiballoon lahti ühendada. Pärast gaasiballooni lahtiühendamist seadmelt pange kaitse ballooni tagasi.

Gaasiballoone tuleb hoida õues, püstasendis ja lastele kättesaamatus kohas. Gaasiballooni ei tohi hoida kohas, kus temperatuur võib ületada +50 °C. Ärge hoidke gaasiballooni lahtise leegi, gaasisüütaja ja muude süüteallikate lähedal.

ÄRGE SUITSETAGE VEDELGAASIBALLOONI LÄHEDAL.

Grillahi on ette nähtud kasutamiseks õues, eemal kõikidest kergsüttivatest materjalidest. Tähtis on jälgida, et kasutuskohal ei ole õhu liikumist takistavaid esemeid ja grillahju külgedel ja taga on vähemalt 1 m vaba ruumi. Veenduge, et seadme tuulutavad ei oleks ummistunud. Grillahju tohib kasutada ainult horisontaalsel, stabiilsel pinnal. Seadet tuleb kaitsta otsese tuuletõmbe eest ja see tuleb paigutada kohta, kus see on kaitstud igasuguse pealelangeva vee (nt vihm) eest.

Grillahju mis tahes osade konstruktsiooni ei tohi muuta. Grillahju võib hooldada ja parandada ainult gaasifirma ohtusspetsialist.

Gaasiballooni ühendamine grillahjuga

Enne ühendamist veenduge, et gaasiballoonile, rõhuregulaatorile, põletile ja põleti düüsidele ei ole kogunenud prahti. Ämblikud ja putukad võivad teha pesa põleti lähedale või sisse. Ummistunud põleti võib põhjustada tulekahju seadme all.

Puhastage põleti avad tugevatoimelise torupuhastiga. Ühendage voolik seadme külge mutrivõtit kasutades, et pingutada mutter ühenduskeermele. Kui voolik on vahetatud, tuleb see kinnitada grillahjule ja rõhuregulaatorile voolikuklambritega. Kui grillahi ei ole kasutusel, ühendage rõhuregulaator gaasiballoonilt vastavalt juhiste lahti.

Grillahju tohib kasutada hästi ventileeritud kohas. Sel ajal, kui grillahju kasutate, ärge takistage põlemisõhu juurdepääsu. **KASUTAGE GRILLAHJU AINULT ÕUES.**

ENNE KASUTAMIST KONTROLLIGE, ET VOOLIK EGA LÜHENDUSKOHAD EI LEKIKS.

Ärge otsige lekkekohti lahtise leegi abil, vaid kasutage selleks seebivett.

LEKETE KONTROLLIMINE

Valmistage 6–9 detsiliitrit lekke tuvastamise lahust, segades ühe osa vedelat pesuvahendit kolme osa veega.

Veenduge, et reguleerimisventiil on asendis OFF (väljas).

Ühendage rõhuregulaator gaasiballoonile ja ON/OFF-ventiil põletile. Veenduge, et ühendused on korralikult kinnitatud ja keerake gaas peale (ON). Kandke seebilahus pintsliga voolikule ja kõikidele ühendustele. Kui ilmuvad mullid, siis on seadmel leke, mis tuleb enne kasutamist kõrvaldada.

Pärast rikke kõrvaldamist tehke test uuesti.

Pärast testimist keerake gaas kinni (OFF).

Kui olete tuvastanud lekke, mida ei saa parandada, ärge püüdke leket ise sulgeda vaid pöörduge oma gaasimüüja poole.

GRILLAHJU SÜÜTAMINE

Esmakordne kasutamine

Enne esimest grillimist laske grillahjul töötada umbes 15 minutit kinnise kaanega ja kõrge gaasivooluga asendis (HI). Sellega toimub siseosade kuumpuhastus.

Puhastage grillahi pärast iga kasutuskorda. ÄRGE KASUTAGE abrasiivseid või kergsüttivaid puhastusvahendeid, sest need vigastavad toote osi ja võivad tekitada tulekahju. Puhastage seebiveega.

HOIATUS. Ligipääsetavad osad võivad olla väga kuumad. Hoidke väikelapsed kuumast seadmest kogu aeg eemal, isegi mahajahtumise ajal! Kuumade osade puudutamisel on soovitatav kasutada kaitsekindaid (nt pajakindaid).

Peapõleti süütamisjuhised

1. Enne põletite süütamist avage grilli kaas.
2. Keerake kõik regulaatorinupud päripäeva asendisse OFF ("•").
3. Ühendage rõhuregulaator gaasiballooniga. Avage gaasi juurdevool (ON) rõhuregulaatorilt. Veenduge seebivee abil, et gaasiballooni ja rõhuregulaatori vahel pole lekete.
4. Vajutage reguleerimisnupp alla ja keerake seda vastupäeva, kuni tunnete vastuvedru survet. Hoidke nuppu selles asendis 3–5 sekundit, et gaas voolaks. Keerake vastupäeva asendisse "HI". Kontrollige, kas põleti on süttinud. Kui põleti pole süttinud, korrake protsessi.

5. Kui põleti ikka ei sütti, keerake reguleerimisnupp asendisse OFF ("•"), oodake umbes viis minutit ja korrake vastavalt punktile 4.

6. Reguleerige soovitud põlemistemperatuuri, keerates reguleerimisnupud asendite HI ja LO vahel.

7. Süüdake teised põletid, vajutades vastav reguleerimisnupu alla ja keerates vastupäeva täisvõimsusele (HI). Põletitevaheline süütekanal süütab põletid. Süüdake põletid üksteise järel.

8. Kui põleti ei sütti, süüdake grill tuletiku abil grilli küljel oleva süüteava kaudu.

9. Grilli kustutamiseks sulgege gaasiballooni kraan või rõhuregulaatori ventiil ning keerake seejärel grilli reguleerimisnupud asendisse OFF ("•").

Hoiatus: Kui põleti ei sütti, keerake reguleerimisnupp kinni (päripäeva) ja sulgege ka gaasiballooni kraan. Oodake viis minutit, enne kui proovite grilli uuesti vastavalt juhiste süüdata.

PUHASTAMINE JA HOOLDAMINE

ETTEVAATUST!

Kõik puhastus- ja hooldustööd tuleb teha siis, kui grillahi on maha jahtunud ja gaasiballooni ventiil on suletud (OFF).

Puhastamine

Puhtakspõletamine pärast iga kasutuskorda (ligikaudu 15 minutit) hoiab grillahju toidujäätmetest maksi-maalselt puhtana.

Välispinnad

Kasutage mahedat pesuvahendit või sooja söögisooda lahust. Raskesti eemaldatava mustuse võib eemaldada mitteabrasiivse küürimispulbriga ja veega.

Kui grillahju katte sisepinnale tekib lahtikoorunud värvi välimus, on kogunenud põlenud mustus söestunud ja tuleb sealt kihthaaval maha. Hõõruge sisepinda tugeva sooja seebivee lahusega. Loputage veega ja laske täielikult ära kuivada.

ÄRGE MINGIL JUHUL KASUTAGE AHJUPUHASTUSVAHENDIT.

Grillahju sisepõhi

Eemaldage jäägid harja, kaabitsa ja/või puhastuskäsnaga ja peske seejärel seebivee lahusega. Loputage veega ja laske ära kuivada.

Valurauast rest / Valurauast alused

Pese resti / plaati kuuma veega, kaabitsaga või teraskäsnaga hõõrudes. Pihusta hoiulepaneku ajaks pinnale kergelt toiduõli.

Põletite puhastamine

Keerake gaas kinni (OFF) ja ühendage lahti gaasiballoon.

Võtke maha küpsetusrest.

Puhastage põleti pehme harjaga või puhuge suruõhuga puhtaks ja pühkige lapiga kuivaks.

Puhastage ummistunud düüsid torupuhasti või jäiga traadiga (näiteks sirgestatud kirjaklambriga). Kontrollige põleti üle vigastuste suhtes (praod või augud). Kui avastate vigastuse, siis vahetage põleti uue vastu. Pange põleti kohale, kontrollige sealjuures, et gaasiventili düüsid on õigesse kohta paigutatud ja on oma kohtadele kinnitatud.

TEENINDUS

Kord aastas tuleb gaasigrillahju hooldada lasta. Kontrolli hooldusteeninduse telefoninumbrit internetiaadressilt mustang-grill.com.

GARANTII

Kõik Mustangi tooted on valmistatud hoolikalt ja kvaliteetselt ning enne tehast väljumist testitud. Grillile ja selle osadele kehtib 2-aastane garantii alates toote ostupäevast. Garantii puudutab tootmis- ja materjalivigu.

Grilli osade kulumine, roostetamine ja roostetamise tagajärjel tekkinud defektid garantii alla ei kuulu. Näiteks on keraamiliste pindade lõhenemine, teraspindade värvimuutused ja roosteplekkide ilmumine aja jooksul ja toote kasutamisel tavapärased nähtused, mis ei takista grilli kasutamist. Garantii ei laiene ka sellistele kasutamise käigus kuluvatele ja roostetavatele grilli osadele nagu malmist ja roostevabast terasest valmistatud torupõletid, soojusjaoitusplaadid, grillrestid ja -plaadid, soojendusrestid. Ise kokkupandavate grillide puhul paigaldab ja vahetab grilli osad alati klient ise vastavalt grilli juhendile. Juhendi mittejärgimisel kaotab garantii kehtivuse. Tutvuge alati põhjalikult kasutusjuhendiga ja täitke selles sisalduvaid tingimusi. Garantii ei kata defekte või puudusi, mille on põhjustanud grilli kasutamine selleks kasutusjuhendis mitte ettenähtud otstarbel või hooldusnõuete täitmata jätmine.

Garantii ei laiene ka olukordadele, kus toodet kasutatakse kommertslikul tootmis-, müügi- või rendieesmärgil.

Kui toote või selle osade juures ilmnevad garantii- perioodi jooksul puudused, tuleb pöörduda toote maaletooja või www.mustang-grill.com kaudu Mustangi tugiteenuste poole. Enne garantiikirja esitamist lugege veelkord põhjalikult läbi kasutusjuhend ning veenduge, et olete järginud selles sisal-

duvaid tingimusi. Kõikide garantiiasjadega tegeleb maaletooja. Defektse või puuduoleva osa asemele saadetakse uus osa. Defektse või puuduoleva osa paigaldamise eest vastutab klient.

Garantii kehtivuse eelduseks on ostukviitungi või selle koopia ettenäitamine. Ostukviitung peab sisaldama müüja nime, grilli marki ja mudeli numbrit ning ostukuupäeva. Garantiikiri peab sisaldama järgmisi andmeid: grilli mark ja mudeli number, reklamatsiooni põhjus, defektse osa osanumber vastavalt osade loetelule, ostukviitungi koopia või müüja kinnitus, ostja nimi, telefoninumber, täpne aadress (tänav, maja/korteri nr, postin indeks, linn/ asula/küla).

Apsveicam ar Mustang izstrādājuma izvēli! Mustang grilēšanas aprīkojuma līnija ir izstrādāta kvalitatīva ēdiena gatavošanai. Tajā ietilpst plašs grilēšanas un ēdiena gatavošanas iekārtu un piederumu klāsts. Sikāku informāciju par mūsu ražojumu sortimentu meklējiet www.mustang-grill.com vai jautājiet tuvākajam licencētajam Mustang mazumtirgotājam! Mēs nepārtraukti pilnveidojam Mustang līnijas izstrādājumus un citas piedāvājumā esošās preces. Lietotāju atsauksmēm ir svarīga loma ražojumu pilnveidē un kvalitātes nodrošināšanā. Mēs vienmēr priecājamies saņemt atsauksmes par mūsu ražojumiem – rakstiet uz e-pasta adresi mustang@mustang-grill.com.

Šis izstrādājums ir paredzēts ērtai un vieglai lietošanai. Lūdzam uzmanīgi izlasīt lietošanas instrukciju, lai varētu izmantot visas jaunā grila priekšrocības. Rūpīga un regulāra tīrīšana un apkope pagarinās grila lietošanas ilgumu un uzlabos drošību. Mustang izstrādājumu līnijā atradīsiet arī piemērotus grila tīrīšanas un kopšanas līdzekļus un piederumus.

Plašāka informācija pieejama www.mustang-grill.com.

Kontaktinformācija par Mustang apkopes pakalpojumiem pieejama www.mustang-grill.com.

BĪSTAMI!

Ja sajūtat gāzes smaku:

1. Pārtrauciet gāzes padevi ierīcei.
2. Nodzēsiet atklātas liesmas un nelietojiet elektroierīces.
3. Atveriet grila vāku un nodrošiniet apkārtņē gaisa apmaiņu.
4. Pārbaudiet gāzes savienojumu hermētiskumu ar ziepjūdeni.
5. Ja joprojām ir jūtama gāzes smaka, nekavējoties sazinieties ar gāzes piegādātāju vai ugunsdzēsības dienestu.

NB!

Šo norādījumu neievērošanas gadījumā var izcelties bīstams ugunsgrēks vai notikt sprādziens.

Lietotājs ir atbildīgs par grila pareizu montāžu uzstādīšanu un apkopi. Šajā instrukcijā minēto norādījumu neievērošana var novest pie smagām traumām un/vai īpašuma bojājumiem.

Jebkāda ierīces pārveidošana vai nepareiza lietošana un norādījumu neievērošana var būt bīstama.

BRĪDINĀJUMS!

Ierīces virsmas var spēcīgi sakarst. Neļaujiet maziem bērniem atrasties ierīces tuvumā.

Raugieties, lai lietošanas laikā ierīces tuvumā neatrastos uzliesmojoši materiāli.

Saglabājiet šo instrukciju turpmākai atsaucei.

TEHNISKĀ INFORMĀCIJA

IERĪCES KODS: BLG15A12-03B (325035)

KOPĒJĀ SILTUMA IEVADE

(VISAS GĀZES KATEGORIJAS): 7,2 kW (524 g/h)

IERĪCES KLAŠE: I3B/P(30)

GĀZES VEIDI: Šķidrie gāzu maisījumi

GĀZES SPIEDIENS: 30 mbar

SPRAUSLAS LIELUMS: Galvenie degļi: 0,91 mm

LIETOŠANAI ĀRPUS TELPĀM LABI VENTILĒTĀS VIETĀS

BRĪDINĀJUMS! IERĪCES VIRSMAS VAR SPĒCĪGI SAKARST.

NEĻAUJIET MAZIEM BĒRNIEM ATRASTIES IERĪCES TUVUMĀ.

PIRMS GRILA LIETOŠANAS UZMANĪGI IZLASIET LIETOŠANAS

INSTRUKCIJU.

NB!

Uzmanīgi izlasiet turpmāk minētos norādījumus un nodrošiniet pareizu grila montāžu un uzstādīšanu un pienācīgu apkopi. Norādījumu neievērošana var novest pie smagām traumām un/vai īpašuma bojājumiem.

Ja rodas ar grila montāžu vai lietošanu saistīti jautājumi, konsultējieties ar mazumtirgotāju.

Lietojot ierīci, raugieties, lai grils un gāzes balons atrastos uz gludas, līdzenas virsmas.

Neaizdedziniet grilu, ja vāks ir aizvērts.

Nemēģiniet aizdedzināt vai izmantot sānu degli, ja vāks ir aizvērts, jo var rasties bīstama situācija un ierīce var tikt sabojāta.

Zema spiediena regulatora un gāzes šļūtenes tipam jābūt apstiprinātam izmantošanas valstī.

Ja šīs detaļas ir jānomaina, sazinieties ar klientu servisu vai mazumtirgotāju.

Neapstiprinātu grila detaļu izmantošana var radīt bīstamu situāciju un nedrošus lietošanas apstākļus.

PATĒRĒTĀJU IEVĒRĪBA! Saglabājiet instrukciju turpmākai atsaucei.

DROŠĪBAS NORĀDĪJUMI

Pēc gāzes balonu atkārtotas uzpildes un pēc ilgāka lietošanas pārtraukuma vienmēr veiciet visu savienojumu noplūdes pārbaudi saskaņā ar instrukciju. Nelietojiet sašķidrinātās gāzes balonu, ja ir bojāts tā korpuss, ventilis, ventiļa aizsargs vai pamatne.

Ierīces lietošanas laikā neturiet zem grila

sašķidrinātās gāzes balonus.

Alkohola vai recepšu/bezrecepšu medikamentu lietošana var negatīvi ietekmēt spēju pareizi samontēt un droši lietot ierīci.

Šajā grilā nedrīkst izmantot kokogles, aizdedzināšanas šķidrumu, lavas akmeņus, benzīnu, petroleju vai

spirtu.

Neglabājiet un nelietojiet benzīnu un citus uzliesmojošus šķidrums un gāzes 7,6 metru attālumā no šīs ierīces. Minimālais drošības attālums no ierīces līdz degtspējīgām konstrukcijām sānos un aizmugurē ir 1 metrs. Nelietojiet ierīci zem degtspējīgām virs grila esošām virsmām.

Nelietojiet grilu, iekams tas nav pilnīgi samontēts un visas detaļas droši nostiprinātas un pievilktas. Regulāri kārtīgi notīriet un pārbaudiet grilu. Pirms ierīces lietošanas katru reizi notīriet un pārbaudiet gāzes šļūteni. Ja pamanāt nobrāzumus, nodilumu, plaisas vai sūci, šļūtene pirms ierīces lietošanas jānomaina.

Izmantojiet tikai ražotāja apstiprinātas detaļas.

Neapstiprinātu detaļu izmantošana ir bīstama. Tas turklāt var anulēt ierīces garantiju.

Ēdiena gatavošanas laikā tuvumā jābūt ugunsdzēsības līdzekļiem. Ja aizdegas eļļa/tauki, nemēģiniet dzēst liesmas ar ūdeni. Izmantojiet ķīmisku ugunsdzēsības līdzekli vai noslāpējiet liesmas ar zemi/smiltīm vai ugunsdzēsības segu.

Lietojiet ierīci tikai uz stabilām virsmām, neuzstādiat un nelietojiet grilu laivās vai atpūtas transportlīdzekļos.

Neatstājiet ieslēgtu grilu bez uzraudzības. Neļaujiet bērniem un dzīvniekiem atrasties grila tuvumā.

Lietošanas laikā nepārviļojiet ierīci.

Grila vāku vienmēr atveriet uzmanīgi un lēni, jo no grila var izplūst karsts gaiss un tvaiki, kas var radīt smagus apdegumus.

Gāzes šļūtenes novietojiet pēc iespējas tālāk no karstām virsmām un pilošiem karstiem taukiem.

Raugieties, lai karsta grila tuvumā nebūtu elektrisko vadu.

Pēc lietošanas aizveriet gāzes balona ventili.

Nepārklājiet visu ēdiena gatavošanas virsmu.

Nenosprostojiet grila korpusā esošās ventilācijas atveres.

Pieskaroties karstajām virsmām, valkājiet aizsargcimdus.

ŠĻŪTENE UN SPIEDIENA REGULATORS

Šīs detaļas nav iekļautas grila piegādes komplektā. Izmantojiet tikai šļūtenes un regulatorus, kas paredzēti sašķidrinātai naftas gāzei ar iepriekš minēto spiedienu. Aprēķinātais regulatora ekspluatācijas ilgums ir 10 gadi. Nomainiet regulatoru vēlākais 10 gadus no izgatavošanas dienas.

Neatbilstošas šļūtenes un regulatora lietošana ir nedroša, tāpēc pirms grila lietošanas vienmēr pārbaudiet, vai šļūtene un regulators ir piemēroti jūsu ierīcei.

Šļūtenei ir jāatbilst attiecīgajam izmantošanas valsts standartam. Šļūtenei jābūt (maksimāli) 1,2 metrus

garai un ar 10 mm iekšējo diametru. Nodilusi vai bojāta šļūtene jānomaina. Raugieties, lai šļūtene nebūtu sagriezusi un aizsērējusi un nesaskartos ar citām grila daļām, izņemot savienojuma vietu.

GRILA UZGLABĀŠANA

Ierīci var uzglabāt iekštelpās vienīgi tad, ja sašķidrinātās gāzes balons ir atvienots un noņemts no ierīces. Ja ierīci ilgāku laiku neizmanto, tā jāieliek oriģinālajā iepakojumā un jāglabā sausā vietā, kur nav putekļu.

SAŠĶIDRINĀTĀS GĀZES BALONS

Sašķidrinātās gāzes balonu nedrīkst mest zemē un ar to jāapietas uzmanīgi! Ja grilu nelieto, balons no ierīces jāatvieno. Pēc balona atvienošanas no ierīces uzlieciet ventiļa aizsargvāciņu.

Sašķidrinātās gāzes balons jāglabā ārpus telpām vertikālā stāvoklī un bērniem nepieejamā vietā.

Balonu nedrīkst glabāt vietās, kur temperatūra var pārsniegt 50°C. Neturiet balonu liesmu, aizdedzes liesmu un citu aizdegšanās avotu tuvumā.

SAŠĶIDRINĀTĀS GĀZES BALONA TUVUMĀ NESMĒĶĒJIET.

Šis grils ir paredzēts lietošanai ārpus telpām, tā tuvumā nedrīkst atrasties uzliesmojoši materiāli. Svarīgi, lai virs grila neatrastos nekādi šķēršļi, un jāievēro minimālais drošības attālums no ierīces, kas sānos un aizmugurē ir 1 metrs. Jāraugās, lai netiktu nosprostotas grila ventilācijas atveres. Grils jānovieto uz līdzenas, stabilas virsmas. Ierīce jāaizsargā no tiešas gaisa plūsmas un jānovieto vai jāaizsargā tā, lai tajā tieši nevarētu iekļūt pilošs ūdens (piemēram, lietus).

Nevienam šā grila detaļu nav atļauts pārveidot, remontu un apkopi drīkst veikt vienīgi reģistrēti gāzes servisa uzņēmumi.

Sašķidrinātās gāzes balona pievienošana grilam Pirms pievienošanas pārbaudiet, vai sašķidrinātās gāzes balona ventilī, regulatorā, deglī un degļa atverēs nav iekērušies gruži un netīrumi. Deglī un gāzes ieplūdes kanālā var ieperināties zirnekļi un citi kukaiņi, aizsprostojot atveres. Aizsērējis deglis var izraisīt ugunsgrēku zem grila.

Iztīriet degļa atveres ar speciālu cauruļu tīrīšanas suku.

Pievienojiet ierīcei gāzes šļūteni, savienojuma nostiprināšanai izmantojot uzgriežņu atslēgu. Šļūtenes nomaiņas gadījumā tās savienojumi ar grilu un regulatoru jānostiprina ar šļūteņu skavām. Ja grilu neizmantojat, atvienojiet regulatoru no balona saskaņā ar instrukciju.

Grils jāuzstāda labi ventilētā vietā. Grila lietošanas laikā netraucējiet degšanai vajadzīgā gaisa pieplūdi

deglim. LIETOJIET ŠO GRILU TIKAI ĀRA APSTĀKĻOS.

PIRMS LIETOŠANAS VEICIET ŠĻŪTENES UN SAVIENOJUMU GĀZES NOPLŪDES PĀRBAUDI.

Neveiciet noplūdes pārbaudi ar atklātu liesmu, vienmēr izmantojiet ziepjūdeni.

NOPLŪDES PĀRBAUDE

Sagatavojiet 6–9 dl šķīduma noplūdes konstatēšanai, sajaucot vienu daļu trauku mazgāšanas līdzekļa ar trīs daļām ūdens.

Pārliedzieties, ka regulētārvārsts ir stāvoklī OFF.

Savienojiet regulatoru ar sašķidrinātās gāzes balonu un ON/OFF (ieslēgšanas/izslēgšanas) vārstu ar degli. Pārliedzieties, ka savienojumi ir droši, un ATVERIET gāzes balona ventili.

Apstrādājiet šļūteni un visus savienojumus ar ziepjūdeni. Burbuļu parādīšanās liecina par gāzes noplūdi, kas pirms grila lietošanas jānovērš.

Pēc noplūdes likvidēšanas atkārtojiet pārbaudi.

Pēc pārbaudes AIZVERIET sašķidrinātās gāzes balona ventili.

Ja konstatējat noplūdi, bet nespējat to novērst, konsultējieties par noplūdes likvidēšanu ar gāzes piegādātāju.

GRILA AIZDEDZINĀŠANA

Pirmā lietošanas reize

Pirmajā lietošanas reizē pirms ēdiena gatavošanas ieslēdziet grilu, aizveriet vāku un aptuveni 15 minūtes ļaujiet ar maksimālu (HI) jaudu darboties tukšgaitā. Pēc izkarsēšanas grils ir gatavs lietošanai.

Pēc katras lietošanas reizes notīriet grilu. NEIZMANTOJIET abrazīvus un uzliesmojošus tīrīšanas līdzekļus, jo tie bojā grila virsmas un var izraisīt ugunsgrēku. Tīriet grilu ar siltu ziepjūdeni.

BRĪDINĀJUMS! Ierīces virsmas var spēcīgi sakarst. Neļaujiet maziem bērniem atrasties karsta grila tuvumā (arī laikā, kad ierīce atdziest!). Pieskaroties karstām virsmām, valkājiet aizsargcimdus (piemēram, plīts cimdus).

Galvenā degļa aizdedzināšanas instrukcija

1. Pirms degļa aizdedzināšanas atveriet grila vāku.
2. Pagrieziet visus kloķus pulksteņrādītāja virzienā stāvoklī OFF (•).
3. Pievienojiet spiediena regulatoru sašķidrinātās gāzes balonam. Pagrieziet spiediena regulatora gāzes padeves ventili stāvoklī ON. Ar ziepjūdeni pārbaudiet, vai gāzes balona un spiediena regulatora savienojuma vietā nav gāzes noplūdes.
4. Piespiediet kloķi un, turot to piespiestu, pagrieziet pretēji pulksteņrādītāja virzienam, līdz jūtat atsperes pretestību. Turiet kloķi šādā stāvoklī 3–5 se-

kundes, ļaujot izplūst gāzei. Pagrieziet kloķi pretēji pulksteņrādītāja virzienam stāvoklī "HI". Pārbaudiet, vai deglis ir aizdedzies. Ja deglis nav aizdedzies, mēģiniet vēlreiz.

5. Ja deglis joprojām neaizdegas, pagrieziet kloķi stāvoklī OFF (•), pagaidiet aptuveni 5 minūtes un mēģiniet vēlreiz, atkārtojot 4. soli.

6. Lai noregulētu temperatūru, iestatiet kloķi starp stāvokli HI un LO.

7. Aizdedziniet pārējos degļus, piespiežot un turot piespiestu katru attiecīgo kloķi un pagriežot tos pretēji pulksteņrādītāja virzienam stāvoklī HI. Aizdedzes elements starp degļiem aizdedzinās degļus. Aizdedziniet degļus pēc kārtas.

8. Ja deglis neaizdegas, aizdedziniet grilu ar sērskociņu pie aizdedzes atveres grila sānos.

9. Izslēdziet grilu, vispirms pagriežot gāzes balona vai spiediena regulatora ventili stāvoklī OFF un tad pagriežot grila kloķus stāvoklī OFF (•).

Brīdinājums! Ja deglis neaizdegas, pagrieziet kloķi pulksteņrādītāja virzienā stāvoklī OFF un aizveriet gāzes balona ventili. Pagaidiet aptuveni 5 minūtes, pirms saskaņā ar instrukciju atkārtoti mēģināt aizdedzināt grilu.

TĪRĪŠANA UN APKOPE

UZMANĪBU!

Tīrīšanas un apkopes laikā grilam jābūt atdzisušam un sašķidrinātās gāzes balona ventilim jābūt aizvērtam.

Tīrīšana

Pēc katras lietošanas reizes ļaujiet grilam darboties tukšgaitā (aptuveni 15 minūtes), lai sadedzinātu ēdiena atliekas un atvieglotu tīrīšanu.

Ārējās virsmas

Izmantojiet maigu mazgāšanas līdzekli vai siltā ūdenī izšķīdinātu dzeramo sodu. Iestāvējušos netīrumus var tīrīt ar neabrazīvu tīrīšanas pulveri un noskalot ar ūdeni. Ja izskatās, ka no grila vāka iekšējās virsmas lobās nost krāsa, tas nozīmē, ka pielipušie tauki ir pārorgļojušies un sāk atdalīties. Kārtīgi notīriet vāku ar koncentrētu karstu ziepjūdeni. Noskalojiet ar ūdeni un ļaujiet pilnīgi nožūt. **NETĪRIET AR CEPEŠKRĀSNS TĪRĪŠANAS LĪDZEKĻIEM.**

Grila dibens

Vispirms ar suku, skrāpi un/vai tīrīšanas sūkli notīriet ēdiena atliekas, tad nomazgājiet dibena iekšpusi ar ziepjūdeni. Noskalojiet ar ūdeni un ļaujiet nožūt.

Čuguna režģis / Čuguna cepešpannas

Nomazgājiet režģi / cepešpannu ar karstu ūdeni, izmantojot skrāpi vai tērauda stieplu suku. Pirms cepešpannas uzglabāšanas apsmidziniet virsmu ar nelielu daudzumu

cepamēlļas.

Degļa tīrīšana

AIZVERIET sašķidrinātās gāzes balona ventili un atvienojiet balonu.

Noņemiet liesmas sadalītāju.

Notīriet degli ar mīkstu suku vai saspīestu gaisu un noslaukiet ar lupatu.

Aizsērējušas atveres iztīriet ar cauruļu tīrīšanas suku vai cietu stiepli (piemēram, iztaisnotu saspraudi).

Pārbaudiet, vai deglis nav bojāts (vai tajā nav plaisas vai caurumi). Ja konstatējat bojājumus, nomainiet degli.

Uzlieciet degli atpakaļ un pārbaudiet, vai gāzes padeves atveres atrodas pareizā stāvoklī un deglis ir droši nostiprināts.

APKOPE

Reizi gadā jāveic gāzes grila apkope. Apkopes servisa tālruņa numuru meklējiet tīmekļa vietnē mustang-grill.com.

GARANTIJA

Visu Mustang izstrādājumu ražošanā ir ievērota īpaša rūpība, un, pirms tie atstāj rūpnīcu, tiem ir veikta kvalitātes pārbaude. Šim grilam un tā detaļām tiek dota 24 mēnešu garantija kopš iegādes datuma. Garantija attiecas uz materiālu un ražošanas defektiem.

Garantija nav attiecināma uz normālu nolietojumu un nodilumu, detaļu rūšēšanu vai koroziju. Piemēram, keramisko virsmu plaisāšana, tērauda virsmu krāsas izmaiņas un rūsas traipu parādīšanās lietošanas procesā un laika gaitā ir normālas parādības un neietekmē grila izmantošanu. Tāpat garantija neattiecas uz detaļām, kuras lietošanas laikā ir pakļautas nolietojumam un nodilumam vai korozijai, piemēram, čuguna vai nerūsējošā tērauda degļi, karstuma deflektori, grila restes un pannas, kā arī režģu plaukti uzsildīšanai. Izmantojot grilus, ko var salikt paši lietotāji, klientiem detaļu montāža un nomaiņa vienmēr jāveic atbilstoši norādījumiem. Neievērojot šos norādījumus, garantija nav spēkā. Vienmēr uzmanīgi izlasiet un ievērojiet lietošanas instrukcijas. Garantija nesedz bojājumus vai defektus, kas rodas nepareizas lietošanas vai neveiktas apkopes rezultātā.

Tāpat garantija nav spēkā, ja izstrādājums tiek lietots komerciālai ražošanai, pārdošanai vai iznomāšanai.

Ja izstrādājumam vai kādai tā daļai garantijas laikā rodas bojājums, lūdzu, sazinieties ar importētāju

vai Mustang atbalsta dienestu ar tīmekļa vietnes www.mustang-grill.com starpniecību. Pirms garantijas prasības iesniegšanas uzmanīgi pārlesiet lietošanas instrukciju, lai pārlicinātos, ka ir ievēroti tajā sniegtie norādījumi. Visas garantijas prasības izskata importētājs. Bojāta vai iztrūkstoša detaļa tiek nomainīta pret jaunu. Par jaunās detaļas montāžu bojātās vai trūkstošās daļas vietā ir atbildīgs klients.

Garantija ir spēkā, tikai uzrādot pirkuma čeka kopiju. Pirkuma čekā jābūt norādītam pārdevēja nosaukumam, grila ražotājam un modelim, un iegādes datumam. Garantijas prasībā jābūt iekļautai šādai informācijai: grila ražotājs un modelis, sūdzības iemesls, bojātās detaļas numurs saskaņā ar detaļu sarakstu, pirkuma čeka kopija vai pārdevēja izsniegts pirkumu apliecinošs dokuments, pirkuma datums, klienta vārds, uzvārds, tālruņa numurs, adrese ar ielas, pasta indeksa un apdzīvotās vietas norādi.

Sveikiname išsirinkus „Mustang“ gaminį! „Mustang“ kepsninių gaminių šeima sukurta geram maistui ruošti. Mūsų liniją sudaro įvairūs kepsninių ir kiti valgio gaminių gaminiai. Norėdami daugiau sužinoti apie mūsų gaminių asortimentą, eikite adresu www.mustang-grill.com arba į artimiausią licencijuotą „Mustang“ mažmeninės prekybos vietą! Nuolatos tobuliname „Mustang“ liniją ir kitus siūlomus gaminius. Kuriant gaminius svarbų vaidmenį vaidina naudotojų atsiliepimai, padedantys užtikrinti kokybę. Labai džiaugtumėmės, jei atsiliepiamus apie mūsų gaminius pateiktumėte adresu mustang@mustang-grill.com.

Šis gaminy s sukurtas naudoti paprastai ir be rūpesčių. Prašome nuodugniai susipažinti su naudotojo instrukcija, kad galėtumėte kuo labiau išnaudoti kepsninės privalumus. Rūpestingai ir reguliariai valydami bei prižiūrėdami kepsninę prailginsite jos naudojimo trukmę ir padidinsite saugumą. „Mustang“ gaminių linijoje taip pat siūlomos tinkamos valymo priemonės ir prižiūrai skirti įrankiai.

Norėdami gauti daugiau informacijos eikite adresu: www.mustang-grill.com. Kontaktinė informacija dėl „Mustang“ priežiūros paslaugų pateikta adresu www.mustang-grill.com.

PAVOJUS:

Je i užuodžiate dujas:

1. Nutraukite dujų tiekimą prietaisui.
2. Užgesinkite atvirą liepsną ir venkite naudoti bet kokius elektros prietaisus.
3. Atidarykite dangtį ir išvėdinkite vietą.
4. Patikrinkite dujų jungtis muilo tirpalu.
5. Jei kvapas išlieka, nedelsdami kreipkitės į dujų tiekėją arba gaisrininkus.

SVARBU:

Nepaisant šių instrukcijų gali kilti pavojingas gaisras ar sprogimas.

Naudotojas privalo užtikrinti, kad kepsninė tinkamai surinkta, sumontuota ir prižiūrima. Nepaisant šiame vadove pateiktų instrukcijų galima rimtai susižeisti ir (arba) sugadinti turtą.

Bet kokie prietaiso pakeitimai, netinkamas jo naudojimas ar instrukcijų nepaisymas gali kelti pavojų. ĮSPĖJIMAS:

Pasiekiamos dalys gali būti labai karštos. Neleiskite mažiems vaikams artintis.

Naudojant šį prietaisą reikia laikyti atokiau nuo degių medžiagų.

Saugokite šią instrukciją, kad ateityje prireikus galėtumėte peržiūrėti.

TECHNINĖ INFORMACIJA:

PRIETAISO KODAS:..... BLG15A12-03B (325035)
 BENDROJI ŠILUMINĖ ĮVESTIS
 (VISŲ KATEGORIJŲ DUJOS): 7,2 kW (524 g/val.)
 PRIETAISO KLASĖ: I3B/P(30)
 DUJŲ TIPAS: Suskystintų dujų mišiniai
 DUJŲ SLĖGIS:..... 30 mbar
 PURKŠTUKO DYDIS: Pagrindiniai degikliai: 0,91 mm
 SKIRTA NAUDOTI LAUKE, GERAI VĒDINAMOSE VIETOSE
 ĮSPĖJIMAS: PASIEKIAMOS DALYS GALI BŪTI LABAI KARŠTOS.
 NELEISKITE MAŽIEMS VAIKAMS ARTINTIS.
 PRIĖŠ NAUDODAMI KEPSNINĖ PERSKAITYKITE INSTRUKCIJAS.

SVARBU:

Atidžiai perskaitykite instrukcijas ir užtikrinkite, kad kepsninė būtų tinkamai sumontuota, surinkta ir prižiūrima. Nesilaikant šių instrukcijų galima rimtai susižeisti ir (arba) sugadinti turtą.

Je i kiltų klausimų dėl kepsninės surinkimo ar naudojimo, kreipkitės į pardavėją.

Naudodami prietaisą pasirūpinkite, kad kepsninė ir dujų balionas stovėtų ant lygaus, horizontalaus paviršiaus.

Niekuomet neuždekite prietaiso, kai dangtis uždarytas.

Niekuomet nebandykite uždegti ar naudoti šoninio degiklio, kai dangtis uždarytas, nes gali susidaryti pavojingos sąlygos ir galite sugadinti kepsninę. Mažo slėgio reguliatorius ir dujų žarna turi būti šalyje patvirtinto naudoti tipo.

Je i reikia šias dalis pakeisti, kreipkitės į klientų aptarnavimo tarnybą arba pardavėją.

Naudodami kepsninėje nepatvirtintas dalis galite sukelti pavojingą situaciją ir sudaryti nesaugią naudojimo aplinką.

PASTABA VARTOTOJUI: pasilikite instrukcijas, jei prireiktų jas peržiūrėti vėliau.

SAUGOS INSTRUKCIJOS

Kas kartą iš naujo pripildę baką arba pirmą kartą naudodami po ilgos pertraukos patikrinkite visų jungčių sandarumą pagal instrukcijas.

Niekuomet nenaudokite suskystintų dujų bako pažeistu korpusu, vožtuvu, kakleliu ar stovu.

Nelaikykite suskystintų dujų bako po kepsnine, kai ją naudojate.

Alkoholio ar receptinių ir nereceptinių vaistų naudojimas gali pabloginti gebėjimą tinkamai surinkti ar saugiai naudoti prietaisą.

Su šia kepsnine niekuomet nenaudokite anglies, uždegimo skysčio, benzino, žibalo ar spirito.

Nelaikykite benzino ar kitų degių skysčių ir garų arčiau nei per 7,6 m (25 pėdas) nuo šio prietaiso. Mi-

nimalus tarpas nuo prietaiso šonų ir galo iki degių konstrukcijų yra 1 m (3 pėdos). Nenaudokite prietaiso po degių paviršiumi.

Nenaudokite kepsninės, jei ji nėra iki galo surinkta, o visos jos dalys gerai pritvirtintos ir priveržtos. Kepsninę reikia reguliariai kruopščiai nuvalyti ir apžiūrėti. Kiekvieną kartą prieš naudodami prietaisą nuvalykite ir apžiūrėkite dujų žarną. Jei ant žarnos matomi subraižymo, susidėvėjimo, įpjovimų ar nesandarumo požymiai, prieš naudojant prietaisą reikia žarną pakeisti.

Naudokite tik gamintojo patvirtintas dalis. Naudoti nepatvirtintas dalis pavojinga. Taip pat gali nustoti galioti garantija.

Gaminant maistą reikia netoliese laikyti ugnies gesinimo priemonės. Užsidegus aliejui ar riebalams nbandykite gesinti jų vandeniui. Naudokite cheminį gesintuvą arba užslopinkite ugnį purvu, smėliu ar nedegiu audeklu.

Naudokite prietaisą tik ant tvirtos žemės, nemontuokite ir nenaudokite jo valtyse ar kemperiuose. Nepalikite degančios kepsninės neprižiūrimos. Visuomet prižiūrėkite, kad vaikai ir naminiai gyvūnai nesiartintų prie kepsninės.

Naudodami prietaisą jo nejudinkite.

Visuomet atidarinėkite kepsninės dangtį lėtai ir atsargiai, nes kepsninėje susikaupęs karštis ir garai gali jus smarkiai nudeginti.

Patraukite dujų žarnas kaip galima toliau nuo karštų paviršių ir varvančių karštų riebalų.

Laikykite visus elektros laidus atokiau nuo kepsninės.

Baigę naudoti išjunkite dujų baliono dujų tiekimą. Niekomet neuždenkite visos kepimo srities.

Niekomet neuždenkite konteinerio ventiliacijos angų.

Liesdami karštas dalis dėvėkite apsaugines pirštines.

ŽARNA IR REGULIATORIUS

Šios dalys prie kepsninės nepridedamos. Naudokite tik žarną ir reguliatorius, patvirtintus naudoti su suskystintomis dujomis esant aukščiau nurodytam slėgiui. Numatyta reguliatoriaus eksploatacijos trukmė yra 10 metų. Pakeiskite reguliatorių per 10 metų nuo jo pagaminimo datos.

Naudoti netinkamą žarną ar reguliatorių nesaugu, prieš naudodami kepsninę visuomet patikrinkite, ar šios dalys tinkamos.

Naudojama žarna turi atitikti galiojančius šalies standartus. Žarnos ilgis turi būti ne daugiau nei 1,2 metro, vidinis skersmuo – 10 mm. Nusidėvėjusią ar pažeistą žarną reikia pakeisti. Užtikrinkite, kad žarna nebūtų sulenkta arba užsikimšusi ir kad neliestų jokios kepsninės dalies, išskyrus jungtį.

KEPSNINĖS SAUGOJIMAS

Laikyti prietaisą patalpoje leidžiama tik jei suskystintų dujų balionas atjungtas nuo prietaiso. Jei prietaisas ilgą laiką nenaudojamas, reikia įdėti jį į originalią pakuotę ir laikyti sausoje, nedulkėtoje vietoje.

SUSKYSTINTŲ DUJŲ BALIONAS

Negalima mėtyti dujų balionų ar elgtis su jais grubiai! Jei nenaudojate kepsninės, dujų balioną reikia atjungti. Atjungę balioną nuo prietaiso uždėkite apsauginį dangtelį.

Dujų balioną reikia laikyti stačią lauke, vaikams nepasiekiamoje vietoje Niekomet negalima laikyti baliono aplinkoje, kurioje temperatūra gali pasiekti daugiau nei 50 °C. Nelaikykite baliono netoli liepsnos, degiklių ar kitų uždegimo šaltinių.

NERŪKYKITE ARTI SUSKYSTINTŲ DUJŲ BALIONO

Kepsninė skirta naudoti lauke, atokiau nuo degių medžiagų. Svarbu, kad nebūtų kliūčių virš jos ir kad būtų 1 m laisvos vietos prietaiso šonuose ir gale. Svarbu, kad kepsninės ventiliacijos angos nebūtų uždengtos. Kepsninę reikia naudoti ant lygaus, stabilaus paviršiaus. Prietaisą reikia saugoti nuo tiesioginio oro srauto, jį reikia saugoti nuo vandens (pvz., lietaus) patekimo.

Negalima keisti jokios šios kepsninės dalies, remontą ir techninę priežiūrą gali atlikti tik registruota dujinės įrangos priežiūros bendrovė.

SUSKYSTINTŲ DUJŲ BALIONO PRIJUNGIMAS PRIE KEPSNINĖS

Prieš prijungdami įsitikinkite, ar dujų cilindro galvutėje, reguliatoriuje, degiklyje ar degiklio angose nėra šiukšlių ar purvo. Vorai ir vabzdžiai gali apsigyventi viduje ir užkimšti degiklį ar jo lizdą. Dėl užkimšto degiklio po degikliu gali kilti gaisras.

Išvalykite degiklio angas tvirtu vamzdžių šepėčiu. Pritvirtinkite žarną prie prietaiso, veržliarakčiu priverždami ją prie jungties sriegio. Jei žarna pakeista, reikia pritvirtinti ją prie kepsninės ir reguliatoriaus žarnos laikikliais. Kai kepsninės nenaudojate, atjunkite nuo baliono reguliatorių, laikydamiesi instrukcijų.

Kepsninę reikia naudoti gerai vėdinamoje vietoje. Naudodami kepsninę neblokaukite degimui reikalingo oro srauto į degiklį. **NAUDOKITE ŠIĄ KEPSNINĘ TIK LAUKE. PRIEŠ NAUDODAMI PATIKRINKITE, AR NĖRA NESANDARUMO ŽARNOJE IR (ARBA) JUNGČIŲ SRIEGIUOSE.** Niekomet netikrinkite, ar nėra nesandarumo, naudodami atvirą liepsną, naudokite muilo tirpalą vandenyje.

TIKRINIMAS, AR NĖRA NESANDARUMO

Paruoškite 6–9 d (2–3 skysčio uncijas) nesandarumo paieškos tirpalo, sumaišydami vieną dalį indų ploviklio ir 3 dalis vandens.

Įsitikinkite, kad valdymo vožtuvas yra padėtyje „OFF“ (išjungta).

Prijunkite reguliatorių prie suskystintų dujų baliono, o įjungimo / išjungimo vožtuvą – prie degiklio.

Įsitikinkite, kad sujungta gerai, tuomet pasukite vožtuvą į padėtį „ON“ (įjungta).

Sutepkite žarną ir visas jungtis muilo tirpalu. Jei pasirodo burbulų, yra nesandarumas, kurį reikia pašalinti prieš naudojant kepsninę.

Pašalinę problemą patikrinkite pakartotinai.

Patikrinę pasukite suskystintų dujų baliono vožtuvą į padėtį „OFF“ (išjungta).

Jei aptinkate nesandarumą ir negalite jo pašalinti, kreipkitės į dujų tiekėją, kad jis pašalintų nesandarumą.

KEPSNINĖS UŽDEGIMAS

Pirmasis naudojimas

Prieš pirmą kartą kepdami, 15 minučių kaitinkite kepsninę uždare dangtį ir atsukę maksimalų (HI) dujų srautą. Tokiu būdu vidinės dalys bus „išvalytos karščiu“.

Kiekvieną kartą panaudoję kepsninę išvalykite. **NE-NAUDOKITE** abrazyvinių arba degių valiklių, nes jie sugadins gaminio dalis ir gali sukelti gaisrą. Valykite kepsninę šiltu muilinu vandeniu.

ĮSPĖJIMAS: Pasiekiamos dalys gali būti labai karštos. Niekuomet neleiskite vaikams artintis prie karštos kepsninės (net kai prietaisas vėsta)! Liečiant itin karštas dalis reikia naudoti apsaugines pirštines (pvz., orkaitės pirštines).

Pagrindinio degiklio uždegimo instrukcija

1. Prieš uždegdami degiklius atidarykite kepsninės dangtį.
2. Pasukite visas rankenėles laikrodžio rodyklės kryptimi į padėtį „OFF“ (išjungta) (•).
3. Prijunkite slėgio reguliatorių prie suskystintų dujų baliono. Pasukite slėgio reguliatoriaus dujų tiekimo vožtuvą į padėtį „ON“ (įjungta). Muilinu vandeniu patikrinkite, ar nėra dujų pratekėjimo tarp suskystintų dujų baliono ir slėgio reguliatoriaus.
4. Paspauskite rankenėlę ir, laikydami ją nuspausta, sukite prieš laikrodžio rodyklę, kol pajusite spyruoklės pasipriešinimą. Laikykite rankenėlę šioje padėtyje 3–5 sekundes, kad galėtų tekėti dujos. Pasukite ją prieš laikrodžio rodyklę į padėtį „HI“. Patikrinkite ar degiklis užsidegė. Jei degiklis neužsidegė, pakar-

tokite procedūrą.

Jei degiklis vis vien neužsidegė, pasukite rankenėlę į padėtį „OFF“ (išjungta), palaukite 5 minutes ir pakartokite 4 veiksmą.

6. Reguliuokite temperatūrą, sukiodami rankenėlę tarp padėčių „HI“ ir „LO.“ (maks.).

7. Uždekite kitus degiklius, paspausdami ir laikydami paspaustą kiekvieną atitinkamą rankenėlę bei sukdami ją prieš laikrodžio rodyklę iki padėties „HI“ (maks.). Uždegimo įtaisas tarp degiklių uždegs degiklius. Uždekite degiklius iš eilės.

8. Jei degiklis neužsidega, degtuku uždekite kepsninę pro uždegimo angą kepsninės šone.

9. Išjunkite kepsninę pasukdami suskystintų dujų baliono vožtuvą arba slėgio reguliatoriaus vožtuvą į padėtį „OFF“ (išjungta), po to pasukite į padėtį „OFF“ (išjungta) (•) kepsninės rankenėles.

Įspėjimas! Jei degiklis neužsidega, pasukite rankenėlę laikrodžio rodyklės kryptimi į padėtį „OFF“ (išjungta) ir užsukite suskystintų dujų vožtuvo cilindrą. Palaukite 5 minutes ir bandykite dar kartą uždegti kepsninę pagal instrukcijas.

VALYMAS IR PRIEŽIŪRA

DĖMESIO

Visą valymą ir priežiūrą reikia atlikti, kai kepsninė yra atvėsusi, o degalų tiekimas išjungtas suskystintų dujų baliono vožtuvu.

Valymas

Kepsninės „išdeginimas“ po kiekvieno naudojimo (maždaug 15 minučių) padės pašalinti maisto likučius.

Išorinis paviršius

naudokite švelnų valiklį arba valgomosios sodos ir šilto vandens tirpalą. Norėdami pašalinti sunkiai pašalinamas dėmes galite naudoti neabrazyvinius šveitimo miltelius, po to nuskalaukite vandeniu.

Jei vidinis kepsninės dangčio paviršius atrodo taip, lyg luptųsi dažai, susikauptę riebalų apnašos suanglėjo ir lupasi. Kruopščiai nuvalykite stipriu karštu muilo ir vandens tirpalu. Nuskalaukite vandeniu ir leiskite visiškai išdžiūti.

NIEKUOMET NEVALYKITE ORKAIČIŲ VALIKLIU.

Kepsninės vidaus dugnas

pašalinkite apnašas šepetėliu, gremžtuku ir (arba) kempinėle ir nuplaukite muilinu vandeniu. Nuskalaukite vandeniu ir leiskite išdžiūti.

Ketaus grotelės / Ketaus kepimo skarda

Išplaukite skardą ar groteles karštu vandeniu, naudodami gremžtuką arba plieninį šepetį. Padėdami skardą ar groteles saugoti, sutepkite paviršius nedideliu maistinio aliejaus kiekiu.

Degiklio valymas

centrine rankenėle išjunkite dujas ir atjunkite suskystintų dujų balioną.

Nuimkite aušinimo groteles.

Nuvalykite degiklį minkštu šepetėliu arba švariai nupūskite suspaustu oru bei nušluostykite šluoste. Išvalykite užsikimšusias angas vamzdžių šepetėliu arba standžia viela (pvz., ištiesinta sąvaržėlė).

Apžiūrėkite degiklį, ar nėra pažeidimų (įskilimų ir skylių). Jei aptinkate pažeidimų, pakeiskite degiklį nauju. Vėl sumontuokite degiklį, patikrinkite, ar dujų vožtuvo angos yra tinkamoje padėtyje ir ar vožtuvus pritvirtintas degiklio lizde.

TECHNINĖ PRIEŽIŪRA

Reikia kasmet atlikti dujinės kepsninės techninę priežiūrą. Techninės priežiūros tarnybos telefono numerį rasite svetainėje mustang-grill.com.

GARANTIJA

Visi „Mustang“ gaminiai yra kruopščiai pagaminti, o jų kokybė patikrinta prieš jiems paliekant gamyklą. Šiai kepsninei ir jos dalims taikoma 24 mėnesių garantija, galiojanti nuo pirkimo datos. Garantija taikoma medžiagų ir gamybos defektams.

Garantija netaikoma įprastam dalių nusidėvėjimui, rūdijimui ir korozijai. Pavyzdžiui, keraminių paviršių skilinėjimas, plieninių paviršių spalvos pasikeitimas ir rūdžių dėmių atsiradimas yra įprasti reiškiniai, atsirandantys naudojant gaminį ir laikui bėgant, bei neturi įtakos kepsninės veikimui. Taip pat garantija netaikoma dalims, kurios naudojant dėvisi ar yra veikiamos korozijos, pvz., ketaus ir nerūdijančio plieno degikliai, karščio paskirstymo plokštės, kepimo grotelės ir plokštės bei šildymo padėklai. Jei kepsninę surenka pats klientas, jis visada turi montuoti ir keisti dalis pagal instrukciją. Nepaisant šių instrukcijų garantija negalios. Visada įdėmiai perskaitykite naudotojo instrukcijas ir jų laikykitės. Pažeidimams ir defektams, atsiradusiems dėl netinkamo naudojimo ar aplaidumo atliekant priežiūrą, garantija netaikoma.

Taip pat garantija netaikoma, jei gaminys naudojamas komerciniais tikslais, prekybai ar nuomai.

Jei gaminys ar gaminio dalis garantiniu laikotarpiu sugenda, kreipkitės į importuotoją arba „Mustang“ pagalbos tarnybą svetainėje www.mustang-grill.com. Prieš pateikdami garantinę pretenziją dar kartą įdėmiai perskaitykite naudotojo instrukciją ir įsitinkite, kad jos laikėtės. Visas garantines pretenzijas tvarkys importuotojas. Sugedusi arba trūkstanta dalis bus pakeista nauja. Klientas atsakingas už sugedusios arba trūkstantos dalies montavimą.

Garantija galioja tik pateikus pirkimo kvito kopiją. Pirkimo kvite turi būti nurodytas pardavėjo pavadinimas, kepsninės gamintojas ir modelio numeris bei pirkimo data. Garantinėje pretenzijoje turi būti pateikta tokia informacija: kepsninės gamintojas ir modelio numeris, skundo priežastis, sugedusios dalies numeris pagal dalių sąrašą, pirkimo kvito kopija arba pareiškimas, nurodantis pirkimo vietą, pirkimo data, vartotojo vardas ir pavardė, telefono numeris, adresas, pašto kodas ir miestas.

Поздравляем! Вы стали обладателем продукта фирмы Mustang! Линия продуктов для гриля и барбекю Mustang предназначена для качественного приготовления пищи. Мы предлагаем широкий ассортимент товаров для гриля и кухонных принадлежностей. Посетите ближайшую официальную точку розничной продажи, где представлены наши продукты, или же посетите наш сайт по адресу www.mustang-grill.com и узнайте всё, что вас интересует, о нашей продукции!

Линейка Mustang постоянно развивается. Мы также беспрестанно работаем над совершенствованием всех остальных товаров, которые мы производим. Обратная связь с потребителем является важнейшим элементом нашей системы контроля качества. Мы с удовольствием узнаем ваше мнение о нашей продукции — пишите нам по адресу mustang@mustang-grill.com.

При разработке данного продукта мы руководствовались принципами лёгкости и безопасности в использовании. Рекомендуем ознакомиться с руководством по эксплуатации как можно внимательнее, чтобы полностью использовать потенциал вашего гриля. В линейку товаров Mustang также входят чистящие средства и приспособления для ухода за грилем.

Более подробную информацию можно получить на сайте: www.mustang-grill.com.

Контактная информация сервисной службы Mustang доступна по адресу www.mustang-grill.com.

ВНИМАНИЕ!

При запахе газа:

1. Перекройте подачу газа к прибору.
2. Затушите все источники открытого пламени и избегайте использования электроприборов.
3. Откройте крышку и как следует всё проветрите.
4. Проверьте герметичность всех соединений при помощи мыльного раствора.
5. Если запах газа не исчезает, немедленно свяжитесь со своей газовой или пожарной службой.

ВАЖНО:

При пренебрежении данными инструкциями может возникнуть пожар или взрыв.

Ответственность за правильную сборку, установку и уход за грилем несёт пользователь. Невыполнение инструкций из настоящего руководства может привести к травмам, а также повреждению имущества.

Любые конструктивные изменения, эксплуатация в нештатном режиме и невыполнение инструкций могут быть опасны.

ВНИМАНИЕ:

Внешние элементы могут сильно нагреваться. Не подпускайте детей к прибору.

Во время использования рядом с прибором не должно быть легковоспламеняющихся материалов.

Сохраните данное руководство на будущее.

ТЕХНИЧЕСКИЕ ХАРАКТЕРИСТИКИ:

ККОД ПРИБОРА: BLG15A12-03B (325035)

ОБЩЕЕ ПОТРЕБЛЕНИЕ ТЕПЛА

(ВСЕ КАТЕГОРИИ ГАЗА):7,2 кВт (524 г/ч)

КЛАСС ПРИБОРА:.....I3B/P(30)

ДАВЛЕНИЕ ГАЗА :Жидкие газовые смеси

ДАВЛЕНИЕ ГАЗА: 30 мбар

РАЗМЕР СОПЛА:Основные горелки: 0,91 мм

ДЛЯ ИСПОЛЬЗОВАНИЯ НА ОТКРЫТОМ ВОЗДУХЕ В ХОРОШО ПРОВЕТРИВАЕМЫХ МЕСТАХ

ВНИМАНИЕ: ВНЕШНИЕ ЭЛЕМЕНТЫ МОГУТ СИЛЬНО НАГРЕВАТЬСЯ. НЕ ПОДПУСКАЙТЕ ДЕТЕЙ К ПРИБОРУ. ПЕРЕД ИСПОЛЬЗОВАНИЕМ ГРИЛЯ ОЗНАКОМЬТЕСЬ С РУКОВОДСТВОМ ПО ЭКСПЛУАТАЦИИ.

ВАЖНО:

Внимательно прочтите руководство и убедитесь, что ваш гриль для барбекю должным образом собран и установлен, и регулярно обслуживается. Невыполнение этих инструкций может привести к травмам, а также повреждению имущества.

Если у вас возникнут вопросы относительно сборки или использования гриля для барбекю, обратитесь к своему розничному торговцу.

Убедитесь, что при использовании прибора как гриль, так и газовый баллон находятся на ровной поверхности в устойчивом положении.

Никогда не разжигайте огонь при закрытой крышке.

Никогда не пытайтесь зажечь или включить боковую горелку при закрытой крышке, так как это небезопасно и чревато поломкой прибора.

Регулятор низкого давления и газовый шланг должны соответствовать типу, разрешённому для применения в стране использования.

При необходимости замены деталей, обратитесь в службу поддержки или к розничному торговцу.

Использование не предназначенных для гриля деталей чревато возникновением опасных ситуаций во время эксплуатации прибора.

ПОТРЕБИТЕЛЮ: Сохраните руководство на будущее.

ТЕХНИКА БЕЗОПАСНОСТИ

Проверьте все соединения на наличие утечек согласно инструкции после каждой зарядки баллона, а также при первом использовании после длительного перерыва.

Никогда не используйте газовые баллоны с повреждениями корпуса, клапана, фланца или основания.

Не ставьте газовый баллон под гриль для барбекю во время использования прибора.

Состояние алкогольного или наркотического опьянения, а также побочные эффекты некоторых лекарств, могут отрицательно влиять на способность лица к сборке и эксплуатации прибора.

Никогда не используйте в гриле уголь, жидкость для заправки зажигалок, лавовые камни, бензин, керосин или спирт.

Не храните бензин и другие легковоспламеняющиеся жидкости и газы в радиусе 25 футов (7,6 м) от прибора.

Минимальный зазор между задней или боковыми сторонами устройства и воспламеняющихся конструкций — 3 фута (1 м). Не используйте устройство под воспламеняющимися поверхностями.

Не используйте гриль до тех пор, пока он полностью не собран и пока все части устройства не зафиксированы и не находятся в устойчивом положении.

Гриль для барбекю подлежит регулярной тщательной очистке и осмотру. Перед каждым использованием устройства следует протереть и осмотреть газовый шланг. При наличии потёртостей, повреждений, порезов и утечек следует заменить шланг прежде чем прибор можно будет эксплуатировать.

Используйте только разрешённые производителем запчасти. Использование прочих запчастей опасно. Оно также чревато потерей гарантии.

При использовании прибора следует иметь под рукой всё необходимое для тушения пожара. В случае воспламенения горючих жидкостей или жира, не пытайтесь гасить пожар водой. Используйте химический огнетушитель, песок или землю, или противопожарное одеяло.

Прибор следует использовать только на устойчивых поверхностях. Ни в коем случае не устанавливайте гриль на лодку или другое транспортное средство.

Не оставляйте зажжённый гриль без присмотра. Всегда следите за тем, чтобы рядом с грилем не было детей и животных.

Не перемещайте прибор в процессе эксплуатации.

Всегда соблюдайте осторожность при открывании крышки гриля. Открывайте крышку медленно, так как пар и нагретый воздух из гриля могут причинить серьёзные ожоги.

Держите газовый шланг как можно дальше от нагретых поверхностей и капель горячего жира.

Держите электрические провода как можно дальше от работающего гриля.

По окончании использования прекратите подачу газа из баллона.

Никогда не накрывайте пространство для жарки целиком.

Ни в коем случае не блокируйте вентиляционные отверстия гриля.

К нагретым поверхностям можно прикасаться только в защитных перчатках.

ШЛАНГ И РЕГУЛЯТОР

В комплект поставки гриля эти предметы не входят. Используйте только шланги и регуляторы, предназначенные для газа под указанным в инструкции давлением. Средний срок службы регулятора — 10 лет. Меняйте регулятор по прошествии 10 лет с момента производства.

Использование неподходящих шлангов и регуляторов опасно. Перед тем, как разжечь гриль, убедитесь в том, что ваши запчасти подходят вашему грилю.

Газовый шланг должен соответствовать стандартам страны использования. Максимальная длина шланга — 1,2 метра. Внутренний диаметр — 10 мм. Повреждённые и изношенные шланги подлежат замене. Убедитесь, что шланг не перекручен, не забит, и не прикасается к грилю ничем, кроме соединительной части.

ХРАНЕНИЕ ГРИЛЯ ДЛЯ БАРБЕКЮ

Хранить прибор в помещении можно только при условии предварительного отсоединения и извлечения газового баллона. Когда предполагается, что прибор не будет использоваться в течение долгого времени, его следует поместить в первоначальную упаковку и хранить в сухом помещении без пыли.

Газовые баллоны

С газовыми баллонами следует обращаться осторожно. Ни в коем случае не роняйте их! Если гриль не используется, газовый баллон следует отключать от прибора. После отключения баллона от прибора следует надеть на баллон защитную крышку.

Баллон с газом следует хранить вне помещения, в вертикальном положении и вне доступа детей. Газовый баллон ни в коем случае не следует хранить при температуре выше 50°C. Также не допускается хранение баллона рядом с источниками пламени или искр либо иными источниками воспламенения.

НЕ КУРИТЕ РЯДОМ С ГАЗОВЫМ БАЛЛОНОМ.

Данный гриль для барбекю предназначен для использования на открытом воздухе и на безопасном расстоянии от легковоспламеняющихся материалов. Важно, чтобы выше гриля не располагались никаких предметов и чтобы зазор между сторонами гриля и ближайшими предметами или конструкциями был не менее одного метра. Ни в коем случае не блокируйте вентиляционные отверстия, расположенные на корпусе гриля. Гриль следует использовать на ровной и устойчивой поверхности. Следует укрывать прибор от прямого дуновения ветра и располагать его таким образом, чтобы внутрь гриля не попадала вода (например, во время дождя).

Запрещаются конструктивные изменения любых частей гриля. Техническое обслуживание может производиться только службами, лицензированными на обслуживание газовых приборов.

Подключение газового баллона к грилю

Перед подключением убедитесь, что вентиль баллона, регулятор, горелка и её отверстия не забиты грязью или мусором. Внутрь могут попадать пауки и другие насекомые, в результате чего горелка и канал подачи газа могут оказаться забитыми. При забитой горелке под грилем может разгореться пламя.

Прочищайте отверстия горелок специальными ёршиками для труб.

Чтобы соединение газового шланга с прибором было герметичным, затяните уплотнитель гаечным ключом. При замене шланга следует использовать специальные зажимы для подключения его к грилю и регулятору. Если гриль не

используется, газовый баллон следует отключать от регулятора согласно инструкции.

Гриль следует использовать в хорошо вентилируемом месте. Не препятствуйте току воздуха в горелку во время использования гриля. ПОЛЬЗУЙТЕСЬ ГРИЛЕМ ТОЛЬКО ВНЕ ПОМЕЩЕНИЯ.

ПЕРЕД ИСПОЛЗОВАНИЕМ УБЕДИТЕСЬ, ЧТО В ШЛАНГ И МЕСТА ЕГО ПОДКЛЮЧЕНИЯ НЕ ПРОПУСКАЮТ ГАЗА.

Никогда не пользуйтесь огнём для обнаружения утечек. В этих целях следует использовать мыльный раствор.

ПРОВЕРКА НА ПРЕДМЕТ УТЕЧКИ

Приготовьте от полулитра до литра мыльного раствора (2-3 унции жидкости) по следующему рецепту: одна часть жидкости для мытья посуды на три части воды.

Убедитесь, что подача газа отключена (клапан находится в положении «OFF»).

Подключите газового баллона к грилю и клапану горелки (с положениями «ON» и «OFF»). Убедитесь, что все соединения герметичны, и включите подачу газа.

Нанесите мыльный раствор на шланг и все соединительные элементы. Если вы видите пузырьки, то есть утечка газа.

Перед использованием гриля её следует ликвидировать.

По окончании работ по ликвидации утечки повторите проверку.

По окончании проверки выключите подачу газа у баллона.

При обнаружении утечки, которая не поддаётся ликвидации, обратитесь к своему поставщику газа.

КАК РАЗЖИГАТЬ ГРИЛЬ

Первое использование

Перед первым использованием следует прогреть гриль в течение примерно 15 минут с закрытой крышкой на максимальном (HI) пламени. Это поможет прокалить внутренние элементы гриля.

Ваш гриль подлежит чистке после каждого использования. НЕ ИСПОЛЬЗУЙТЕ абразивные и воспламеняющиеся чистящие средства во избежание повреждения прибора и пожара. Используйте тёплый мыльный раствор для очистки гриля.

ВНИМАНИЕ: Внешние элементы могут сильно нагреваться. Всегда следите за тем, чтобы рядом с нагретым грилем не было детей (даже во время охлаждения прибора). Прикасаться к нагретым частям гриля следует только в защитных перчатках (или кухонных рукавицах).

Руководство по розжигу основной горелки

1. Прежде чем приступить к розжигу горелок, следует открыть крышку гриля.
2. Приведите все ручки в положение «OFF» (•), поворачивая их по часовой стрелке.
3. Подключите газовый баллон к регулятору давления. Включите подачу газа, приведя регулятор давления в поло-

жение «ON». Для обнаружения утечек газа между баллоном и регулятором давления используйте мыльный раствор.

4. Нажмите и удерживайте регулятор. Затем поворачивайте его против часовой стрелки, пока не почувствуете сопротивление пружины. Удерживайте регулятор в этом положении в течение 3-5 секунд, чтобы пошёл газ. Поворачивайте его против часовой стрелки, пока не достигнете положения «HI ». Проверьте, зажёгся ли газ в горелке. Если горелка не горит, повторите процесс.

5. Если гриль не зажёгся, переведите регулятор в положение «OFF» (•), подождите 5 минут, и начните снова с этапа 4.

6. Приведите регулятор в желаемое положение между минимумом (HI) и максимумом (LO) для регулировки температуры.

7. Зажгите другие горелки путём нажатия и удержания соответствующих регуляторов и их поворота против часовой стрелки до положения «HI». Находящийся между горелками воспламенитель зажжёт газ в горелках. Зажгите горелки по очереди.

8. Если горелка не зажигается, используйте спичку в отверстии для зажигания, расположенном сбоку.

9. Выключите гриль, приведя клапан баллона с газом или регулятора давления в положение «OFF», а затем приведя в соответствующее положение регуляторы на гриле — «OFF» (•).

Внимание! Если горелка не зажигается, вращайте регулятор по часовой стрелке, пока не достигните положения «OFF», а затем закройте клапан газового баллона. Подождите 5 минут, а затем повторите попытку розжига гриля, тщательно следуя инструкциям.

ОЧИСТКА И УХОД ЗА ПРИБОРОМ

ВНИМАНИЕ

Все операции по очистке гриля следует проводить при охлаждённом гриле при отключенной подаче газа у баллона.

Очистка

Бывает полезно дать грилю прогореть после каждого использования (в течение примерно 15 минут), чтобы остатки пищи на поверхности гриля было легче счищать.

Внешняя поверхность

Используйте мягкое моющее средство или раствор пищевой соды в тёплой воде. Трудновыводимые пятна можно удалять неабразивным чистящим средством, которое затем следует смыть водой.

Если внутренняя сторона крышки гриля выглядит так, как будто она покрыта отслаивающейся краской, это означает, что скопившийся на ней жир обуглился и начал отваливаться. Тщательно промойте концентрированным горячим мыльным раствором. Смойте водой и дайте как следует высохнуть.

НИКОГДА НЕ ИСПОЛЗУЙТЕ МОЮЩИЕ СРЕДСТВА ДЛЯ ДУХОВОК.

Внутренняя часть основания гриля

Уберите нагар при помощи щётки, металлической губки и/

или специальной губки, а затем промойте мыльным раствором. Смойте мыло водой и дайте высохнуть.

Чугунная решетка / Чугунные противени

Вымойте решетку / противень горячей водой, используя скребок или стальную щетку. Убирая противень на хранение, сбрызните поверхность небольшим количеством пищевого масла.

Очистка горелок

ВЫКЛЮЧИТЕ подачу газа и отсоедините газовый баллон от гриля.

Извлеките рассекатель.

Очистка горелки производится при помощи мягкой щётки или воздуха под давлением с последующей протиркой тряпкой.

Забитые отверстия можно прочищать щёткой для трубок или проволокой (для этого вполне подойдёт разогнутая скрепка).

Исследуйте горелку на предмет повреждений (трещин и отверстий). При обнаружении повреждений горелка подлежит замене. Верните горелку на место, убедитесь, что отверстия подачи газа не заблокированы и находятся в нужном положении, а также в том, что горелка плотно сидит в гнезде.

ОБСЛУЖИВАНИЕ

Ваш гриль для барбекю нуждается в ежегодном техническом обслуживании. За номером службы по обслуживанию обратитесь к интернет-сайту mustang-grill.com.

ГАРАНТИЯ

Вся продукция Mustang изготавливается со всей тщательностью и аккуратностью и проходит проверку качества перед отправкой с завода. На этот гриль и его детали предоставляется гарантия, действующая в течение 24 месяцев со дня приобретения. Гарантия распространяется на дефекты изготовления и материалов.

Гарантия не распространяется на нормальный износ и коррозию, а также на вызванные коррозией дефекты. Например, происходящее со временем растрескивание керамических поверхностей, изменение цвета стальных поверхностей и появление пятен ржавчины являются нормальными явлениями, не препятствующими использованию гриля. Гарантия не распространяется также на детали, которые изнашиваются или ржавеют в процессе использования изделия, такие как изготовленные из чугуна или нержавеющей стали трубчатые горелки, теплораспределительные пластины, жарочные решетки и плиты и решетки для подогрева. Установка и замена деталей в собираемых своими силами грилях всегда осуществляется самим клиентом в соответствии с прилагаемыми инструкциями. В случае несоблюдения инструкций гарантия аннулируется. Внимательно прочитайте руководство по эксплуатации и строго соблюдайте изложенные в нем инструкции. Гарантия не распространяется на поломки или неисправности, вызванные неправильным использованием или ненадлежащим

обслуживанием прибора.

Гарантия прекращает действовать также в случае, если изделие используется в каких бы то ни было коммерческих целях или сдается в аренду.

Если в течение гарантийного срока в изделии или в каком-то из его компонентов обнаружится дефект, пожалуйста, свяжитесь с импортером или, через сайт www.mustang-grill.com, со службой поддержки Mustang. Перед предъявлением претензии еще раз внимательно прочитайте руководство по эксплуатации, чтобы убедиться, что вы соблюдали все изложенные в нем инструкции. Решением все вопросов, связанных с гарантийными обязательствами, занимается импортер. В случае отсутствия какой-то детали или взамен дефектной высылается новая деталь. Клиент сам отвечает за установку недостающей детали или детали, присланной взамен дефектной.

Гарантия действует лишь при предъявлении копии чека на покупку. В чеке должны быть указаны название магазина, марка и номер модели гриля, а также дата приобретения. Претензия по гарантии должна содержать следующие сведения: марку и номер модели гриля, причину рекламации, номер дефектной детали в соответствии с перечнем деталей, копию чека на покупку или разъяснение касательно места приобретения, дату приобретения, а также имя, номер телефона, адрес, почтовый индекс и место проживания потребителя.

Seuraa meitä somessa!



@mustanggrill
#grillaamustangilla



GrillaaMustangilla



Grillaa Mustangilla

www.mustang-grill.com

Social media content currently
only available in Finnish