

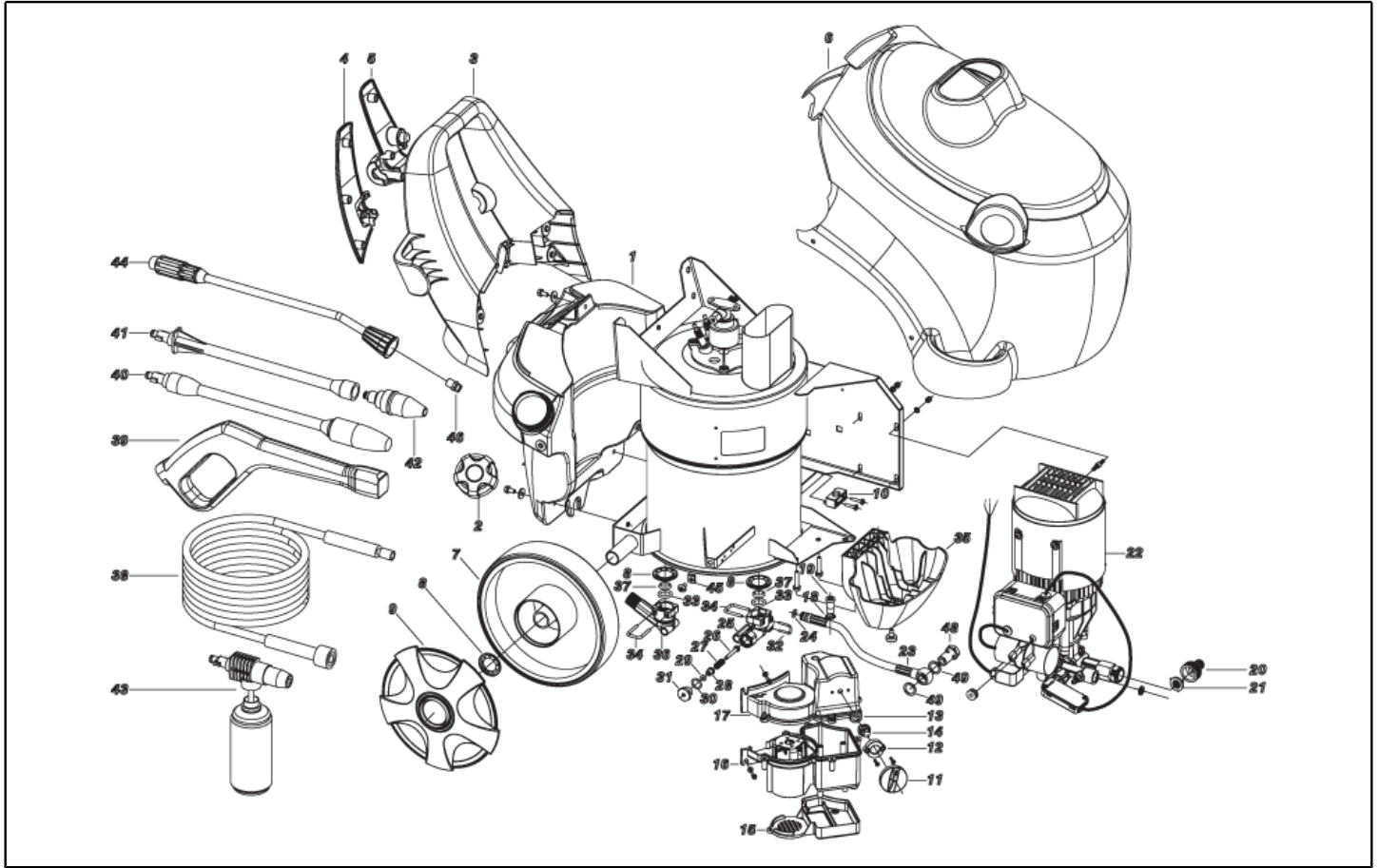


IPC

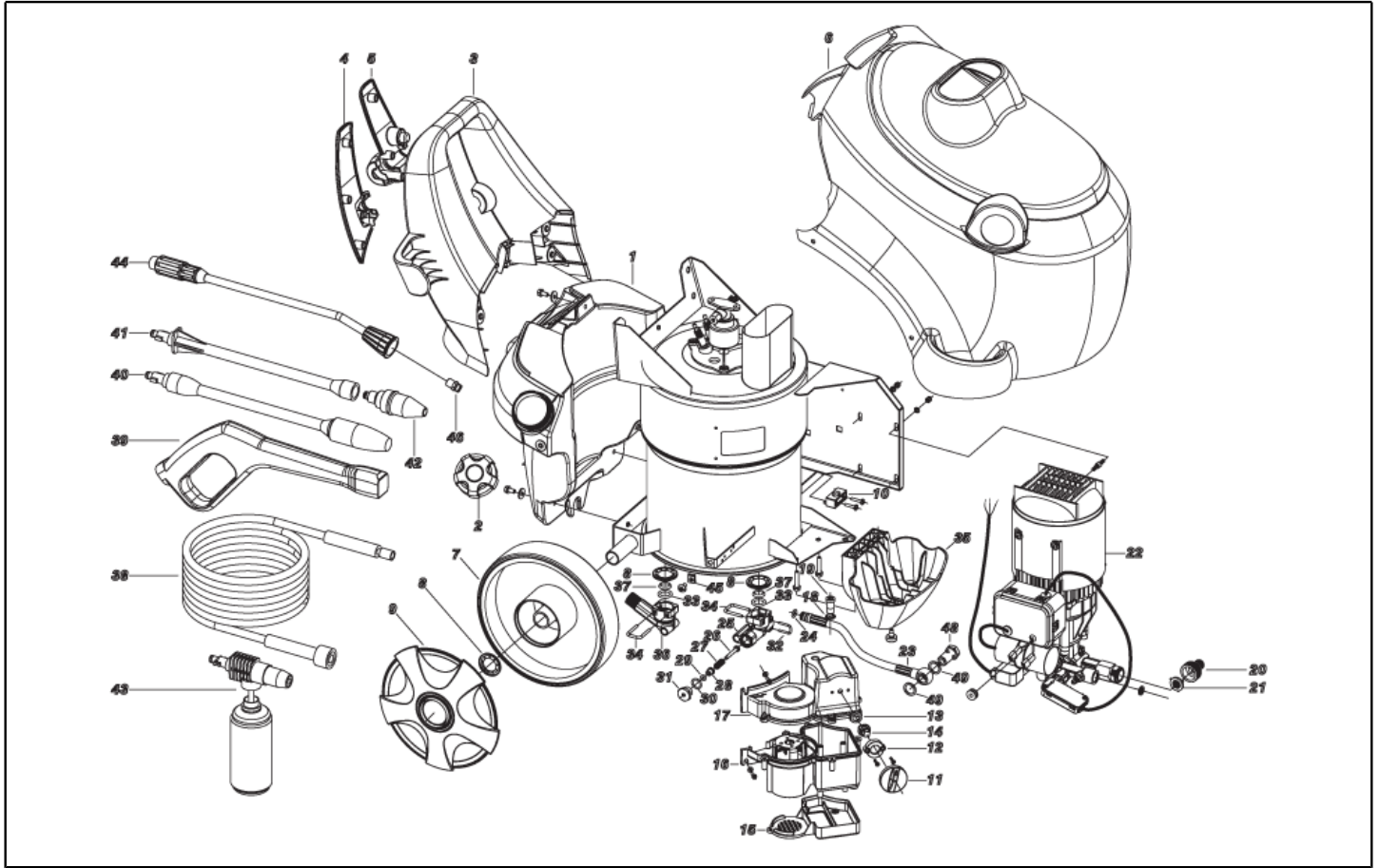
Spare parts list

Ref: IDAC41173

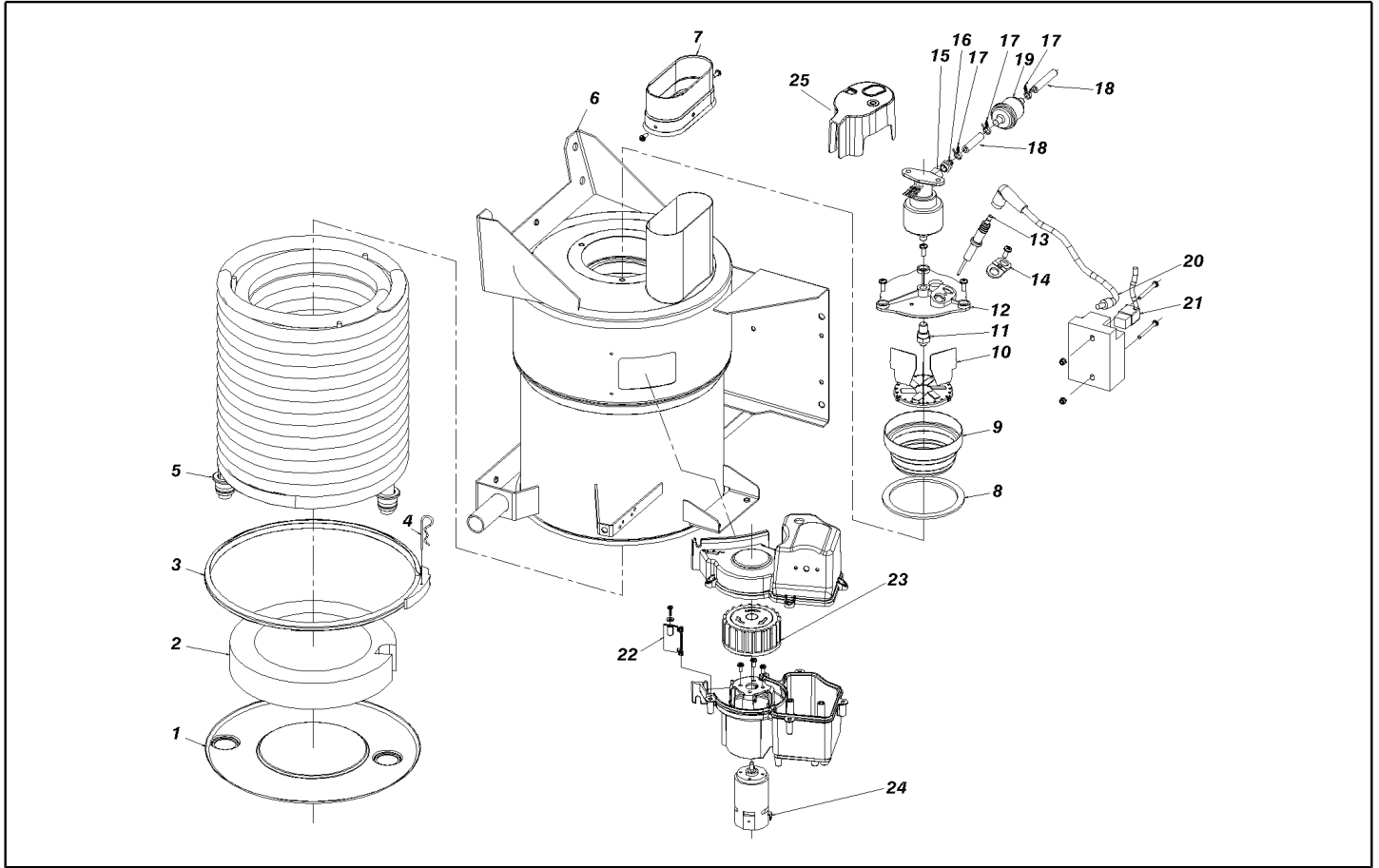
Model: H.P. CLEANER H.LI-H I1408AA M230/50 IP



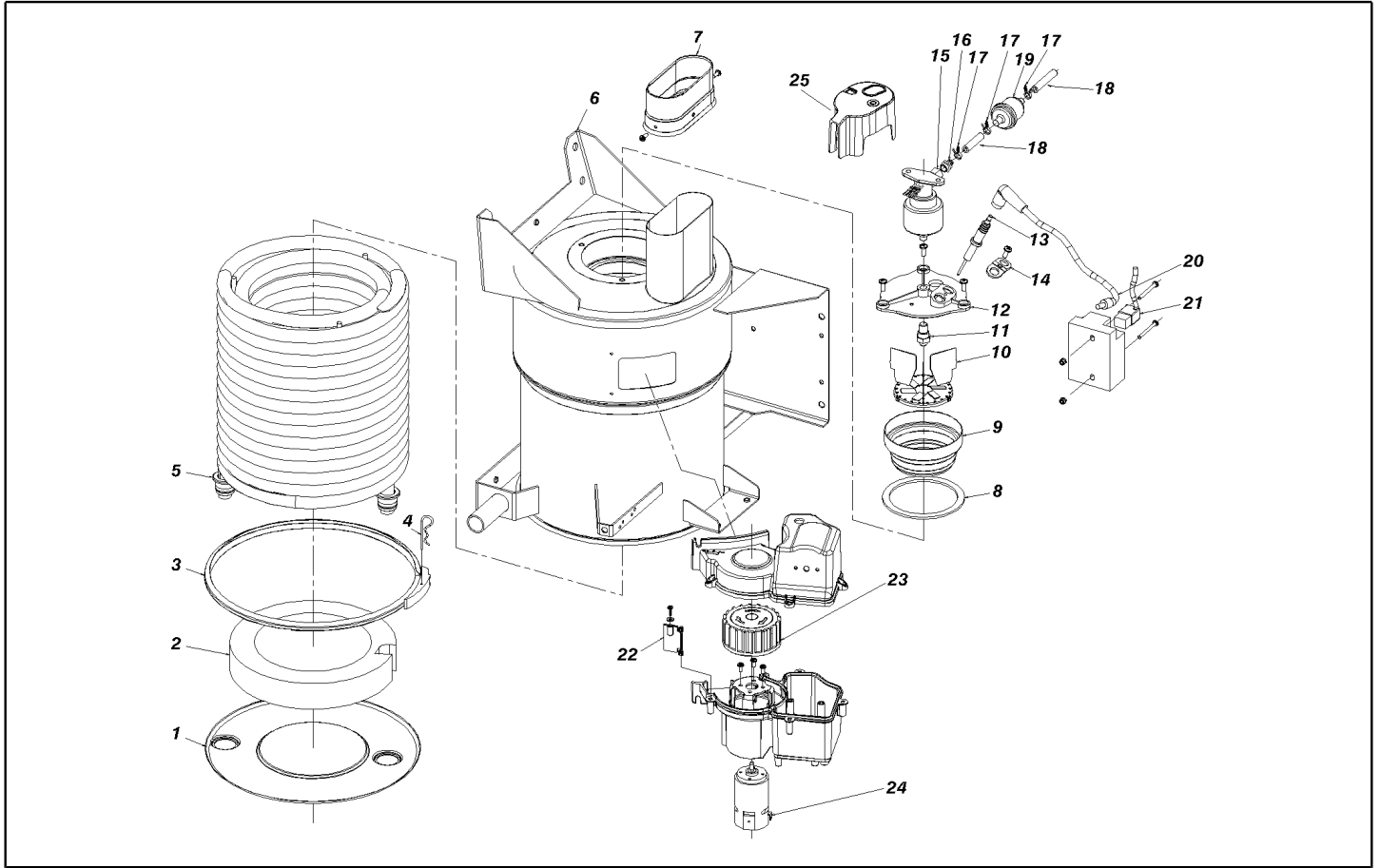
Ref. K	Part n.	Part n. 2	Description	Quantity	Validity		Price
					From	To	
0001	MPVR87831		FUEL TANK P191 PEHD	1,00			--
0002	MPVR49673		TANK CAP P215 PEHD	1,00			--
0003	MPVR87830		HANDLE P191 PPL BK.	1,00			--
0004	MPVR87746		HOSE WIND.SUPP. P191 DX PP	1,00			--
0005	MPVR87745		HOSE WIND.SUPP. P191 SX PP	1,00			--
0006	MPVR87832		RED COVER P191 PP	1,00			--
0007	RTRT87839		WHEEL D.250-D.25X 53 RT-IPC	2,00			--
0008	VTRS09813		WASHER D.25	2,00			--
0009	MPVR87834		RED WHEEL COVER D. 250 RT/P191	2,00			--
0010	MEVR20906		CABLE CLAMP KSM	1,00			--
0011	MPVR87748		BLACK KNOB P191 PP	1,00			--
0012	MPVR87752		THICKNESS INT. P191 PP	1,00			--
0013	GUGO23079		V-SEAL RING VAO014 13.5- 15.5	1,00			--
0014	MPVR87751		TAIL PIECE P191 INT. UE. PP	1,00			--
0015	MPVR87754		CABLE CLAMP COV P191 PP	1,00			--
0016	MPVR87743		CONTROL BOX P191 PP BK.	1,00			--
0017	MPVR40410		CONTROL BOX P191 C/F. PP BK.	1,00			--
0018	MPVR87744		BOX COVER P191 PP BK.	1,00			--
0019	GUGO29603		O-RING D. 12 X 1.50 VIT 70SH	1,00			--
0020	MEVR27264		FUSE-HOLDER 031-1081	1,00			--
0021	RCVR29602		CONNECTOR D. 1/2"-5/8" PTC	1,00			--
0022	FTDT12702		FILTER PA	1,00			--
0023	PEL40028		MOTOR-DRIV.PUMP HRM-A 8.14 DS 230/50 P191	1,00			--
0024	TBAP40064		TUBE 1/4 RACC L=380 R1 P191	1,00			--
0025	GUGO01060		O-RING D. 9.92 X 2.62 NBR 70SH	1,00			--
0026	MFVR49976		CONNECTOR P191 AL. INL.	1,00	07/05/2011		--
0027	RCDS87759		SMALL PISTON V.SC. P191 OT.	1,00	07/05/2011		--
0028	MLML87845		SPRING D. 7.8 X21 D.2.0 INX	1,00	07/05/2011		--
0029	MPVR87758		BUSHING V.SC. P191 POM	1,00	07/05/2011		--
0030	GUGO37529		O-RING D. 5.23 X 2.62 NBR 70SH	1,00	07/05/2011		--
0031	GUGO01054		O-RING D. 15.08 X 2.62 NBR 70SH	1,00	07/05/2011	11/05/2012	--
0032	GUGO25527		O-RING D. 14 X 3 NBR 70SH	1,00	13/05/2012		--
0033	RCDS87757		VALVE TAP P191 OT.	1,00	07/05/2011		--
0034	LAFN37625		PLUG "U" T-STOP PRM INX	1,00			--
0035	GUGO40059		O-RING D. 16 X 4 VIT 70SH	2,00	10/02/2017		--
0036	GUGO89301		O-RING D. 16 X 4 NBR 70SH	2,00		09/02/2017	--
0037	LAFN87846		PLUG "U" P191 INX	2,00			--
0038	MPVR40304		FOOT P191-AR PP BK.	1,00			--
0039	MFVR49975		CONNECTOR P191 AL. OUT.	1,00			--
0040	GUVR21021		ANTI-EXTR.RING D. 21 X17 TEF.	2,00			--
0041	TBAP28305		H.P. HOSE SAE MT 8 D.6 IRV F-F KSM	1,00			--
0042	IPPR40017		GRIP MV 2009+P.330 +M22 M	1,00			--
0043	LCPR40037		EXTENSION P 50 M22 M -1/4F ZC.	1,00			--
0044	UGLN75421		LANCE NOZZLE LECH 1/4 15025	1,00			--



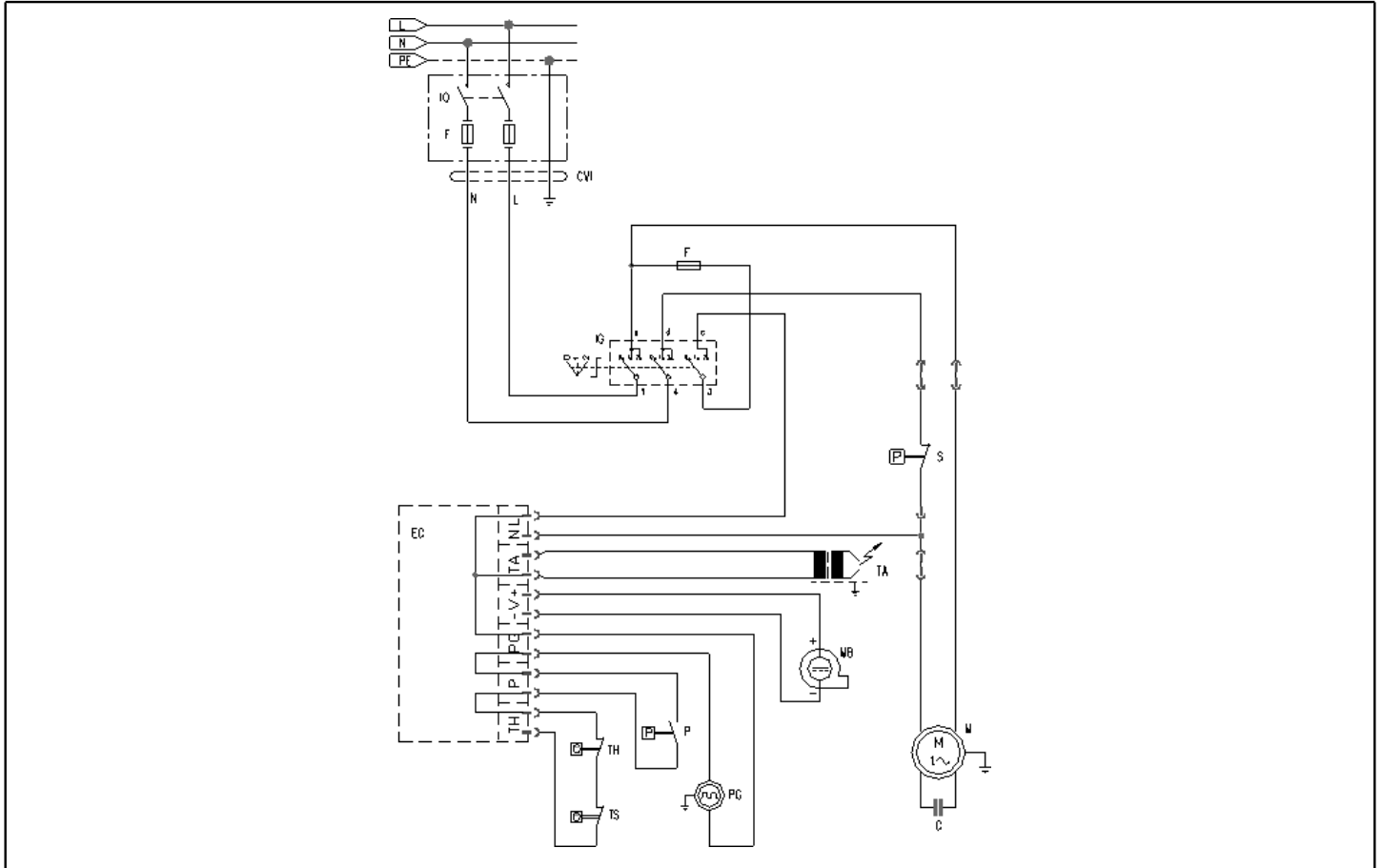
Ref. K	Part n.	Part n. 2	Description	Quantity	Validity		Price
					From	To	
0043	LCPR40038		FOAM DEVICE SURF M 22M	1,00			--
0045	VTVR28636		PLATE M 6 ZNC.	2,00			--
0047	RCVR29600		SOCKET PTC 3/4 F	1,00			--
0048	RCDS40002		SCREW G 3/8 L=32.5	1,00			--
0049	VTRS40026		WASHER 3/8 ZC + NBR 85SH	2,00			--
0050	MEVR27264		FUSE-HOLDER 031-1081	1,00			--



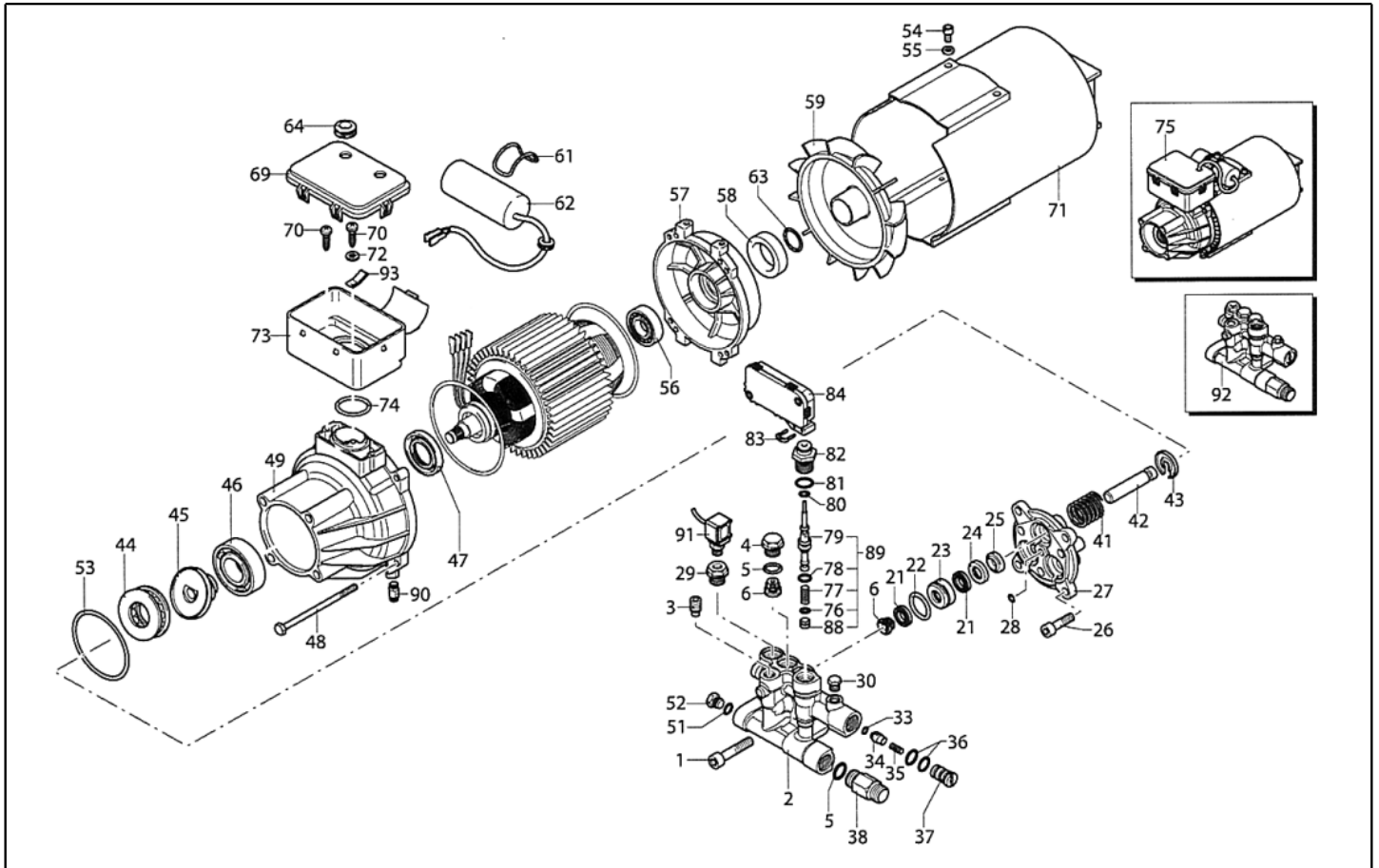
Ref. K	Part n.	Part n. 2	Description	Quantity	Validity		Price
					From	To	
0001	LAFN87769		BOILER BOTTOM P191	1,00			--
0002	ITTE40002		BOTTOM MTH C.TE	1,00			--
0003	LAFN27418		RING D.278 MTH	1,00			--
0004	VTVR47052		SPLIT PIN *R* D. 2 X 43 ZC	1,00			--
0005	LAGR89128		DOUBLE COIL P191 TD 13.5MT SP.2 GRZ	1,00			--
0006	LAFN40405		BOILER BODY P191-AR	1,00			--
0008	GUVR25775		GASKET D. 105/88 X 3	1,00			--
0009	LAFN20055		NOSEPIECE KSM	1,00			--
0010	LAFN20120		BAFFLE MTH	1,00			--
0011	UGBR28863		BURNER NOZZLE 0.50 60 S	1,00			--
0012	MFVR19964		ELECTR.HOLDER KSM	1,00		24/10/2004	--
0012	MFVR88612		ELECTR.HOLDER KSM 1/8CN.	1,00	25/10/2004		--
0013	MECA18232		ELECTRODE L=101.5 KSM	2,00			--
0014	LAFN20123		PLATE KSM INX	1,00			--
0015	PPGS89286		FUEL PUMP VSC63 A5H 220V 0.50GH SD	1,00	18/06/2005		--
0016	RCDS21900		HOSE FITTING 1/8 M D. 3- 7	1,00			--
0017	FSVR72803		CLAMP D 9.3 - 9.9	2,00			--
0017	FSVR72800		CLAMP D 8.3 - 8.8	1,00			--
0017	FSVR72803		CLAMP D 9.3 - 9.9	1,00			--
0018	TBBP48098		TUBE PVC D. 5 -9 GREEN	0,15	01/04/2014		--
0018	TBBP72695		TUBE PVC D. 5 -9 RED	0,29		15/10/2010	--
0018	TBBP48098		TUBE PVC D. 5 -9 GREEN	0,30	01/04/2014		--
0018	TBBP72695		TUBE PVC D. 5 -9 RED	0,29		15/10/2010	--
0019	FTCO10912		FILTER FB 13/T NYL.	1,00			--
0020	MECV87765		CABLE A.T. 22KOH/M L= 340 P.	2,00			--
0021	MECB87766		CABLE BT L=800 SP.	1,00			--
0022	MPVR87753		BUTTERFLY VALVE P191 PP	1,00			--
0023	S VEV87749		IMPELLER P191 D. 75 20P. PA6	1,00			--
0024	S MOMB40016		BURNER MOTOR HVDC 230-50	1,00	01/01/2020		--
0024	S MOMB87803		BURNER MOTOR MP43.5 230-50	1,00		31/12/2019	--
0025	MPVR88317		SHELL P.GAS. TAIS PP BK.	1,00			--



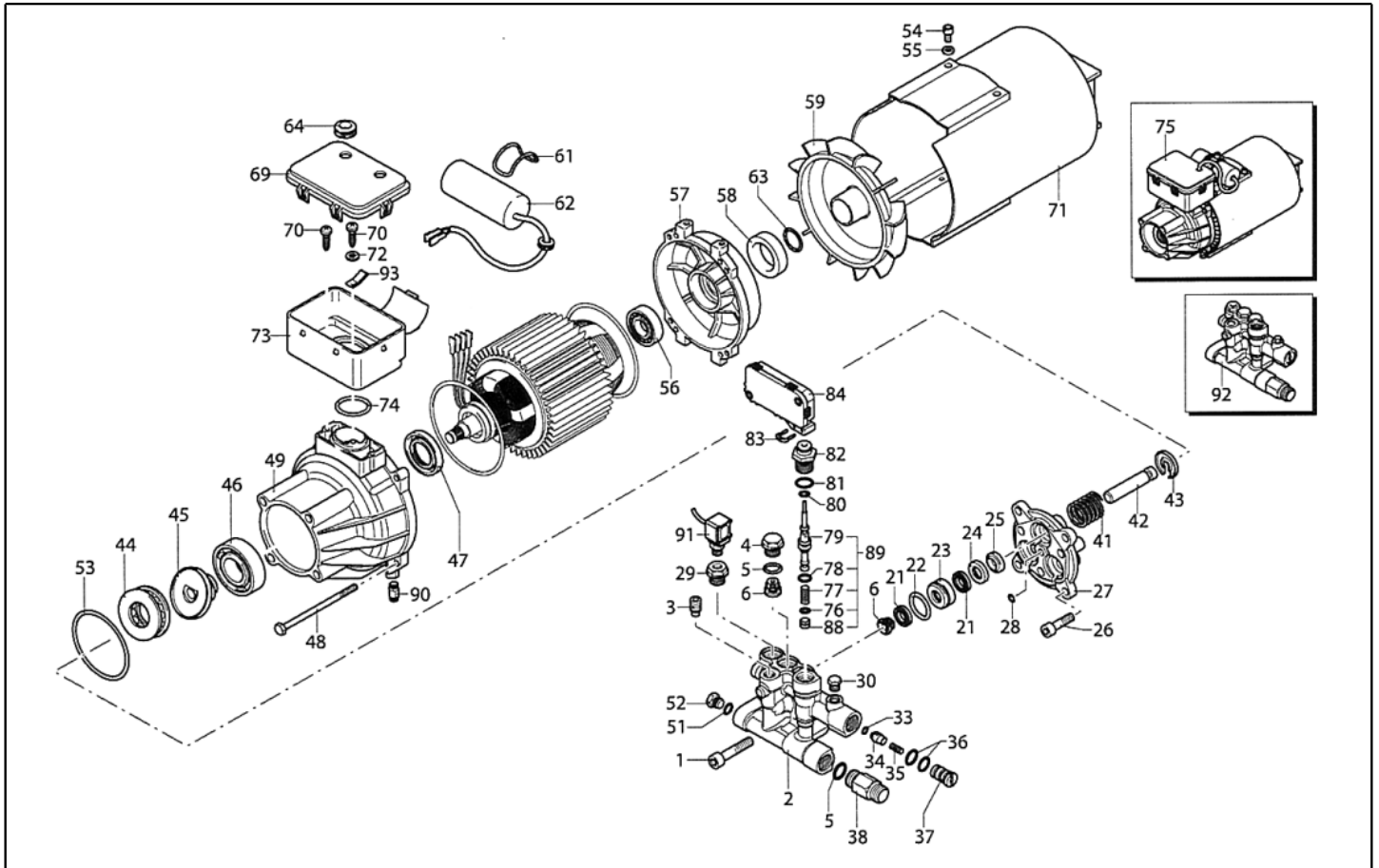
Ref. Part n.	Part n. 2	Description	Reference	Price
KTRI40559		KIT P 17- 13 VENT. P191 230/50	0023 0024	--



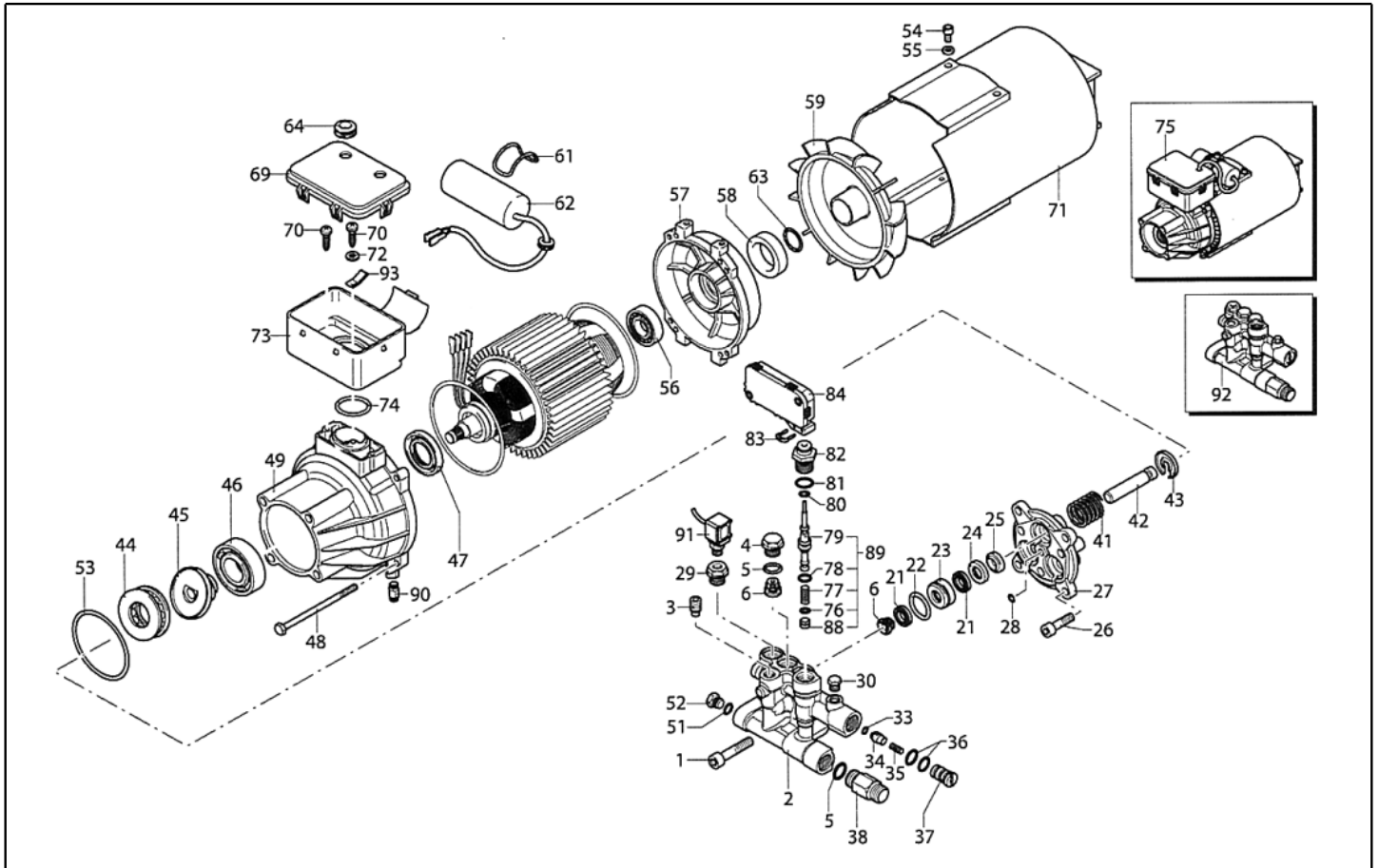
Ref. K	Part n.	Part n. 2	Description	Quantity	Validity		Price
					From	To	
F	MEVR07043		FUSE 5X20 2A T	1,00			--
EC	MECE87755		PCB P191 T-ST. 230V 5/60HZ	1,00			--
IG	MECI87801		COMMUTAT.SWITCH 0-1-2 16(8)A S.4RH	1,00			--
TA	METR87767		TRANSFORMER 22/240V-5/60HZ 2X14KV EL.	1,00			--
CV1	MECB27734		CABLE H07 RNF 3X1.5 L=6.500	1,00			--
TH-S	METK40008		KLIKSON ITP-1NT 60°C NC AM+L.800	2,00			--



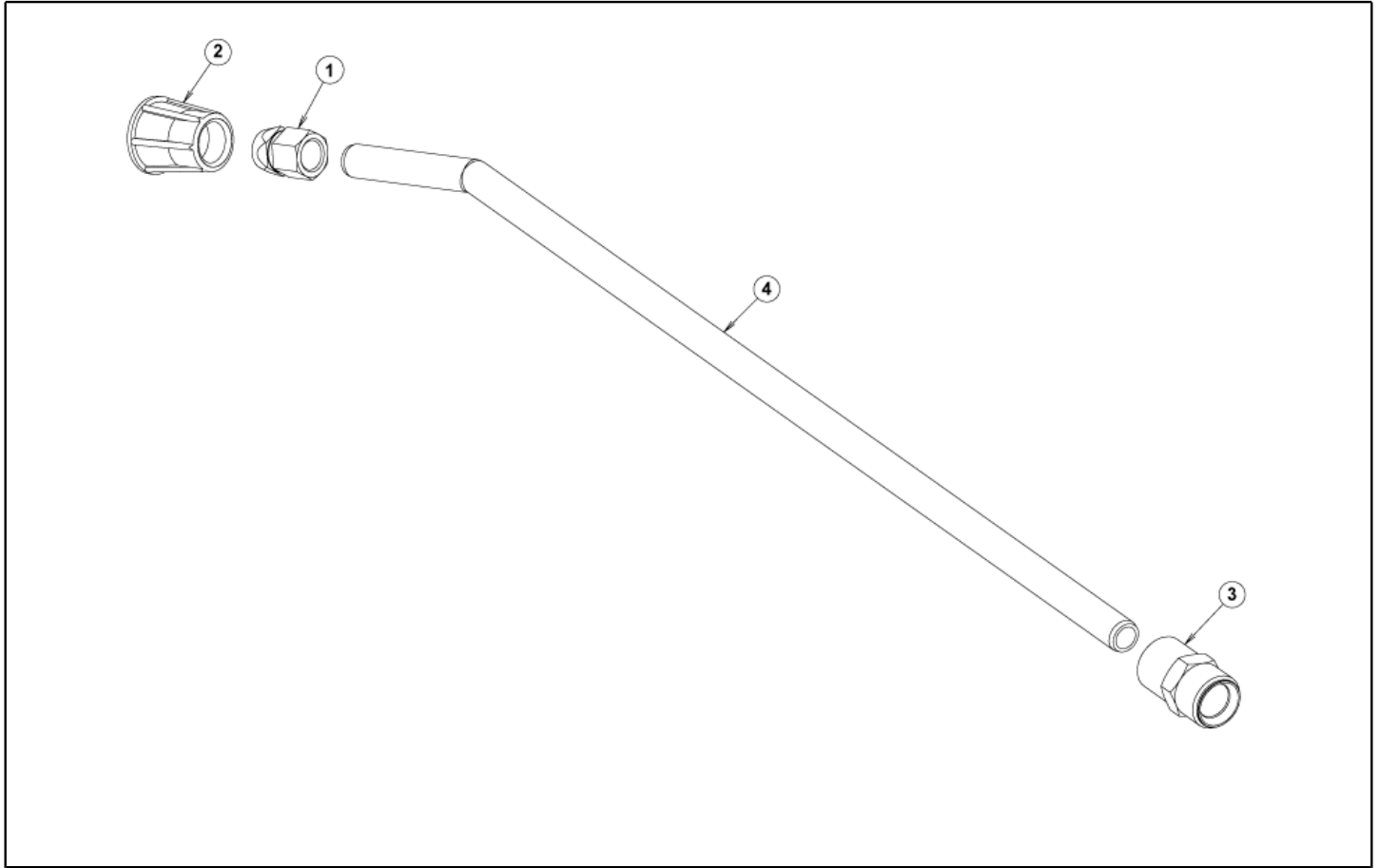
Ref. K	Part n.	Part n. 2	Description	Quantity	Validity		Price
					From	To	
0001	VTVT28306		SCREW TCCE UNI 5931 8X45 ZB	3,00			--
0002	MFVR40057		HEAD AR C23 AL.	1,00			--
0003	PVVR40086		CAP EI G 1/4 HRM	1,00			--
0004	PVVR40087		CAP AR HRM	2,00			--
0005	S GUGO09720		O-RING D. 14 X 1.78 NBR 70SH	5,00			--
0006	S VVAM40001		VALVE UNIT HRM	6,00			--
0021	S GUVR40030		PACKING D. 12 HRM	6,00			--
0022	S GUGO08182		O-RING D. 21.91 X 1.78 NBR 70SH	3,00			--
0023	PVVR40088		PACKING RETAIN. D. 12 HRM	3,00			--
0024	PVVR40089		INTERMED. RING D. 12 HRM	3,00			--
0025	S GUGO40010		OIL SEAL D. 12 HRM	3,00			--
0026	VTVT01573		SCREW TCEI 8X25 UNI5931	4,00			--
0027	PVVR40090		PISTON FLANGE HRM	1,00			--
0028	S GUGO03500		O-RING D. 6.75 X 1.78 NBR 70SH	1,00			--
0029	PVVR40413		CAP AR HRM + FORO 1/8G	1,00			--
0030	RCDS19214		CAP 1/8 M	1,00			--
0033	S GUGO12494		O-RING D. 4 X 2.5 -NBR 70SH	1,00			--
0034	PVVR40091		COUPLING AR HRM	1,00			--
0035	MLML32257		SPRING D. 6.5 X14 D.0.5	1,00			--
0036	S GUGO63403		O-RING D. 8.73 X 1.78 NBR 70SH	2,00			--
0037	PVVR40359		INJECTOR G151	1,00			--
0038	PVVR40414		CONNECTOR AR HRM	1,00			--
0041	MLML40010		SPRING AR HRM	3,00			--
0042	S PIVR40014		PISTON D.12 HRM	3,00			--
0043	PVVR40093		RING D.12 HRM	3,00			--
0044	CUVR40006		BEARING AR HRM	1,00			--
0045	PVVR40415		CAP HRM 10.5°	1,00			--
0046	CUVR28336		BALL BEARING 6304	1,00			--
0047	GUVR40082		PACKING OIL HRM	1,00			--
0048	VTVT40050		SCREW TE M 5X110	4,00			--
0049	MFVR40016		PUMP CRANKCASE AR HRM	1,00			--
0051	S GUGO01036		O-RING D. 10.82 X 1.78 NBR 70SH	1,00			--
0052	PVVR40129		CAP 1/4 M RC	1,00			--
0053	GUGO02261		O-RING D. 71.12 X 2.62 NBR 70SH	1,00			--
0054	VTVT01113		SCREW TCEI 5X16 UNI5931	2,00			--
0055	VTRS00502		WASHER D. 5 0.466 UNI 6592	2,00			--
0056	CUVR40007		BALL BEARING 6203 2Z	1,00			--
0057	MFVR40017		SHIELD H 80 HRM AR	1,00			--
0058	GUGO40011		OIL SEAL HRM	1,00			--
0059	VEVR40004		MOTOR FAN AR HRM	1,00			--
0061	GUGO09674		O-RING D. 48.90 X 2.62 NBR 70SH	1,00			--
0062	MECO40017		CAPACITOR 45 MF	1,00			--
0063	GUGO11652		O-RING D. 12.42 X 1.78 NBR 70SH	1,00			--
0064	MEVR40128		FAIR-LEAD AR	1,00			--



Ref. K	Part n.	Part n. 2	Description	Quantity	Validity		Price
					From	To	
0069	MPVR40168		BOX COVER AR HRM	1,00			--
0070	VTVT67356		SCREW M 4X 12 TCB TC TRIL.	3,00			--
0071	MPVR40639		CONVEYOR AR HRM	1,00			--
0072	VTRS00501		WASHER D. 4 0.232 UNI 6592	1,00			--
0073	MPVR40640		CONTROL BOX AR HRM-O	1,00			--
0074	GUGO31518		O-RING D. 31.42 X 2.62 NBR 70SH	1,00			--
0075	MOMO40052		1PH MOTOR HRM HP 2.4 230-50	1,00			--
0076	GUGO06988		O-RING D. 7.66 X 1.78 NBR 70SH	1,00			--
0077	MLML40011		SPRING D. 8 TSS	1,00			--
0078	GUGO01036		O-RING D. 10.82 X 1.78 NBR 70SH	1,00			--
0079	PVVR40096		PISTON BOLT AR TSS	1,00			--
0080	S GUGO01062		O-RING D. 3.69 X 1.78 NBR 70SH	1,00			--
0081	S GUGO09720		O-RING D. 14 X 1.78 NBR 70SH	1,00			--
0082	PVVR40097		PISTON GUIDE AR TSS	1,00			--
0083	LAFN40212		PLUG "U" AR TSS	1,00			--
0084	MEPF40005		PRESSURE SWITCH AR TSS 220V N.A.	1,00			--
0088	PVVR40151		PISTON SEAT AR TSS	1,00			--
0089	KTRI40233		KIT P 15-511 PISTON+SPRING TST	1,00			--
0090	PVVR40416		COLUMN AR	4,00			--
0091	MEPF40026		PRESSURE SWITCH AR	1,00			--
0093	MEVR40129		CONNECTOR AR	1,00			--



Ref.	Part n.	Part n. 2	Description	Reference	Price
C	KTRI40081		KIT P 15-42124 HRM	0025	--
A	KTRI40079		KIT P 15-2233 HRM	0006	--
B	KTRI40289		KIT P 15-2313 HRM	0042	--
E	KTRI40082		KIT P 15-2235 HRM D.12	0021	--
F	KTRI40290		KIT P 15-42150 O-RING	0005 0022 0028 0033 0036 0051 0080 0081	--



Ref. K	Part n.	Part n. 2	Description	Quantity	Validity		Price
					From	To	
0001	RCVR46787		NOZZLE HOLDER 1/4-1/4 F MV	1,00			--
0002	PVVR40449		PROTECTION L.S. MV113	1,00			--
0003	RCIN40036		MALE COUPLING 1/4F -M22 L.25	1,00			--
0004	LCPR40119		TUBE 1/4 L=500 ZC. 20°	1,00			--